

V18V Photoelectric Sensors for Food & Beverage

Sensors have to be this robust and multifaceted.

Thanks to its consistent design and selection of optimized materials, the photoelectric sensor series V18V for Food & Beverage is suitable for substantial industrial loads, for example,

- Chemical cleaning processes,
- High ambient operating temperatures,
- High water pressure and high humidity,
- Corrosive media.

Certificates from independent institutes confirm:

- ECOLAB,
- JohnsonDiversey,
- Enclosure rating IP 69K according to DIN 40050.

The High-Light V18V:

Sensitivity adjustment via Touch-Teach-in. The unique patented teach-in method permits the sensor to be adapted to each application without mechanical controls. This means that all mechanical components (seals, potentiometer, etc.) are no longer needed. A sensor housing made of 100% stainless steel 316L is all that remains.

The V18V stainless steel photoelectric sensors and their ranges in overview:

- VS/VE18V through-beam photoelectric sensors: Scanning range 25 m,
- VL18V photoelectric reflex sensor: Scanning range 5 m (PL80A),
- VL18V photoelectric reflex sensor for detecting transparent objects: Scanning range 4.5 m (PL80A),
- VT18V photoelectric proximity sensor, energetic: Scanning ranges 100 mm, 400 mm, 800 mm (90% reflectance),
- VTB18V photoelectric proximity sensor, with background suppression and adjustable scanning distance: scanning distances 140 mm (standard) and 100 mm (small light spot), 90% remission.

The V18V Food & Beverage can be used universally. Applications in the areas of foodstuffs production, beverage production, pharmaceuticals and corresponding packaging lines are special focal points.



Features

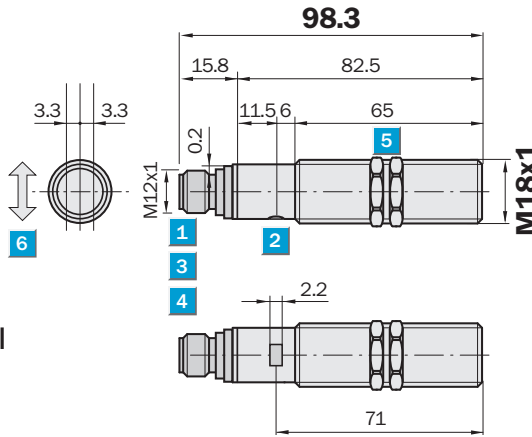
- Wash-down design: resistant against detergents, humidity and temperature
- Hygienic design: Stainless steel housing & suitable, FDA certified synthetic materials

Scanning distance
0 ... 140 mm

Photoelectric proximity sensor with BGS

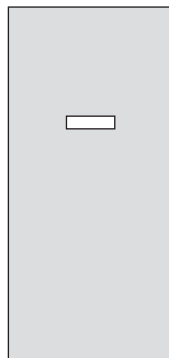
- Precise background suppression
- Patented Touch-Teach-in: Sensitivity adjustment on equipment, but without mechanical operation elements
- Transition zone between scanning distance/background suppression very small and largely independent of materials
- High switching frequency up to 1,000 Hz
- Visible emitted light red LED with small light spot

Dimensional drawing



Adjustments possible

- VTB18-4P1240V
- VTB18-4N1240V

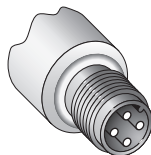


- 1 Plug M12, 4-pin
- 2 Scanning distance adjuster Touch-Teach-in
- 3 Green LED indicator: signaling Touch-Teach-in
- 4 Yellow LED indicator: light received
 - lights continuously: reception signal > reserve factor 2
 - blinks: reception signal < reserve factor 2, but > switching threshold 1
- 5 Mounting nuts (2x); SW 24, stainless steel 316L (included with delivery)
- 6 Standard direction of material being scanned

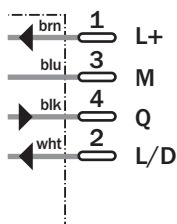


Connection type

- VTB18-4P1240V
- VTB18-4N1240V



M12, 4-pin



ECOLAB®
JohnsonDiversey

IP 69K according to DIN 40050

Stainless Steel

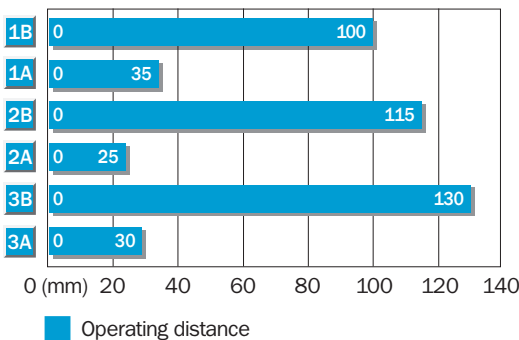


Accessories
Cables and connectors
Mounting systems

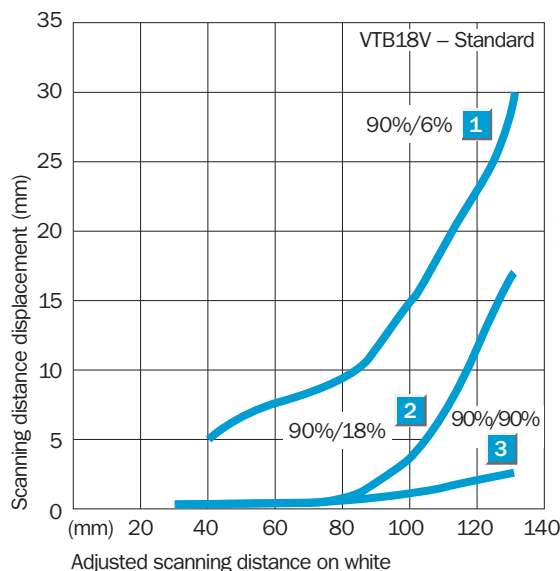
Technical data		VTB18-	4P1240V	4N1240V						
Scanning distance, typ. max.¹⁾		0 ... 140 mm								
Operating distance, adjustable ⁴⁾		Min. 20 ... 30 mm/max. 0 ... 130 mm								
Light spot diameter		Approx. 10 mm at 60 mm distance/ Approx. 15 mm at 130 mm distance								
Light source²⁾, light type		LED, red, 660 nm								
Scanning distance setting		Manual, via Touch-Teach-in ³⁾								
Visualizing Touch-Teach-in		LED green								
Light reception indicator		LED yellow:								
		Lights continuously: reserve factor >2								
		Blinks: reserve factor >1.0 ... <2.0								
Supply voltage V_S		10 ... 30 V DC ⁴⁾								
Residual ripple ⁵⁾		≤ 10 %								
Current consumption ⁶⁾		≤ 50 mA								
Switching outputs		Q: PNP, open collector								
		Q: NPN, open collector								
Signal voltage PNP		Approx. V _S -2.0 V/approx. 0 V								
NPN		Approx. V _S /≤ 2.0 V								
Switching mode		Light-/dark-switching, selectable ⁷⁾								
Output current I_A max.		≤ 100 mA								
Response time ⁸⁾		≤ 0.5 ms								
Max. switching frequency ⁹⁾		1,000/s								
Connection type		Plug M12, 4-pin ¹⁰⁾								
VDE protection class		⊠								
Enclosure rating		IP 67, IP 68, IP 69K ¹¹⁾								
Certificates¹²⁾		ECOLAB, JohnsonDiversey								
Circuit protection¹³⁾		A, B, C, D								
Ambient temperature	Operation	-25 °C ... +80 °C (continuous operating)								
	Operation	-25 °C ... +100 °C (max. 15 min)								
	Storage	-40 °C ... +80 °C								
Weight		Approx. 120 g								
Housing		M18								
Housing material	Housing:	Stainless steel AISI 316L/1.4404								
	Device plug:	M12, PPS (Grilamid) FDA ¹⁴⁾								
	Optic:	Plan, PPS (Grilamid) FDA ¹⁴⁾								

1) Object to be detected with 90 % remission (relating to standard white in acc. with DIN 5033); 100 x 100 mm
 2) Average service life 100,000 h at T_A = +25 °C
 3) Patent number: MO2007A00275 Date: 31.08.2007
 4) Limit values
 5) May not exceed or fall short of V_S tolerances
 6) Without load, at V_S 30 V DC
 7) L/D-switching type control line L/D = + V_S: light-switching L.ON L/D = 0 V: dark-switching D.ON Control line open
 8) Signal transit time with resistive load
 9) With light/dark ratio 1:1
 10) Pins gold plated
 11) With correct mounted IP 69K connector
 12) Refer to the corresponding certificates for details
 13) A = V_S connections reverse-polarity protected
 B = Inputs and output reverse-polarity protected
 C = Interference pulse suppression
 D = Outputs overload and short-circuit protected
 14) PPS with FDA certificate

Scanning distance



- 1 Scanning distance on black, 6 % remission
- 2 Scanning distance on grey, 18 % remission
- 3 Scanning distance on white, 90 % remission
- A Scanning distance adjuster on MIN
- B Scanning distance adjuster on MAX



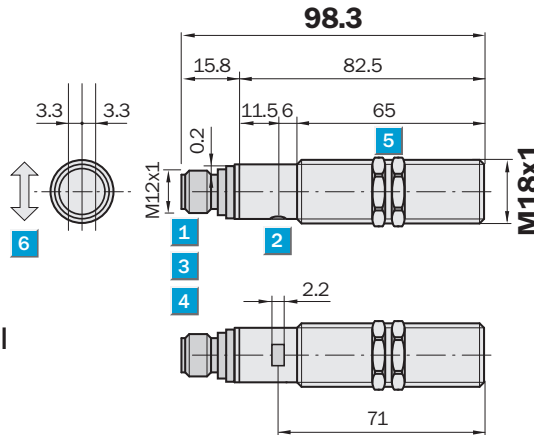
Order information	
Type	Order no.
VTB18-4P1740V	6035493
VTB18-4N1740V	6035494

Scanning distance
0 ... 100 mm

Photoelectric proximity sensor with BGS

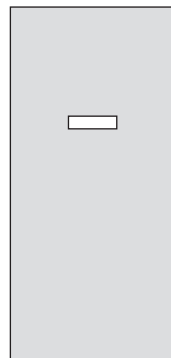
- Precise background suppression
- Patented Touch-Teach-in: Sensitivity adjustment on equipment, but without mechanical operation elements
- Transition zone between scanning distance/background suppression very small and largely independent of materials
- For detecting small parts
- Visible emitted light red LED with smallest light spot

Dimensional drawing



Adjustments possible

VTB18-4P1240VS01
VTB18-4N1240VS01

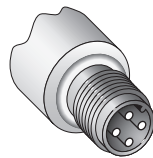


- 1** Plug M12, 4-pin
- 2** Scanning distance adjuster Touch-Teach-in
- 3** Green LED indicator: signaling Touch-Teach-in
- 4** Yellow LED indicator: light received
 - lights continuously: reception signal > reserve factor 2
 - blinks: reception signal < reserve factor 2, but > switching threshold 1
- 5** Mounting nuts (2x); SW 24, stainless steel 316L (included with delivery)
- 6** Standard direction of material being scanned

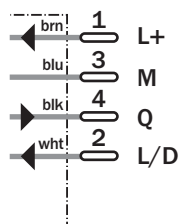


Connection type

VTB18-4P1240VS01
VTB18-4N1240VS01



M12, 4-pin



ECOLAB®
JohnsonDiversey

IP 69K according to DIN 40050

Stainless Steel



Accessories
Cables and connectors
Mounting systems

Technical data		VTB18-	4P1240V S01	4N1240V S01										
Scanning distance , typ. max. ¹⁾		0 ... 100 mm												
Operating distance, adjustable ¹⁾		Min. 0 ... 60 mm/max. 0 ... 100 mm												
Light spot diameter		Approx. 2 mm at 60 mm distance/ Approx. 3 mm at 100 mm distance												
Light source ²⁾, light type		LED, red, 660 nm												
Scanning distance setting		Manual, via Touch-Teach-in ³⁾												
Visualizing Touch-Teach-in		LED green												
Light reception indicator		LED yellow:												
		Lights continuously: reserve factor >2												
		Blinks: reserve factor >1.0 ... <2.0												
Supply voltage V_s		10 ... 30 V DC ⁴⁾												
Residual ripple ⁵⁾		≤ 10 %												
Current consumption ⁶⁾		≤ 50 mA												
Switching outputs		Q: PNP, open collector												
		Q: NPN, open collector												
Signal voltage	PNP	Approx. $V_s - 2.0$ V/approx. 0 V												
	NPN	Approx. $V_s / \leq 2.0$ V												
Switching mode		Light-/dark-switching, selectable ⁷⁾												
Output current I_A max.		≤ 100 mA												
Response time ⁸⁾		≤ 1.25 ms												
Max. switching frequency ⁹⁾		400/s												
Connection types		Plug M12, 4-pin ¹⁰⁾												
VDE protection class		⊕												
Enclosure rating		IP 67, IP 68, IP 69K ¹¹⁾												
Certificates ¹²⁾		ECOLAB, JohnsonDiversey												
Circuit protection ¹³⁾		A, B, C, D												
Ambient temperature	Operation	-25 °C ... +80 °C (continuous operating)												
	Operation	-25 °C ... +100 °C (max. 15 min)												
	Storage	-40 °C ... +80 °C												
Weight		Approx. 120 g												
Housing		M18												
Housing material	Housing:	Stainless steel AISI 316L/1.4404												
	Device plug:	M12, PPS (Grilamid) FDA ¹⁴⁾												
	Optic:	Plan, PPS (Grilamid) FDA ¹⁴⁾												

1) Object to be detected with 90 % remission (relating to standard white in acc. with DIN 5033); 100 x 100 mm

2) Average service life 100,000 h at $T_A = +25$ °C

3) Patent number: MO2007A00275
Date: 31.08.2007

4) Limit values

5) May not exceed or fall short of V_s tolerances

6) Without load, at V_s 30 V DC

7) L/D-switching type control line
L/D = + V_s : light-switching L.ON
L/D = 0 V: dark-switching D.ON
Control line open

8) Signal transit time with resistive load

9) With light/dark ratio 1:1

10) Pins gold plated

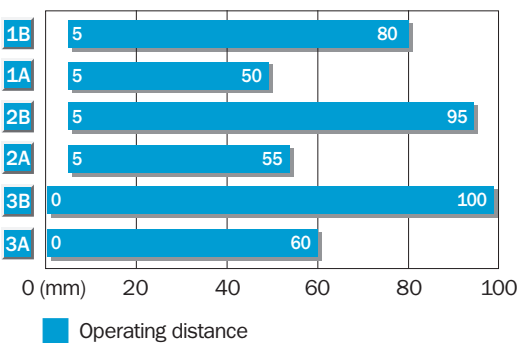
11) With correct mounted IP 69K connector

12) Refer to the corresponding certificates for details

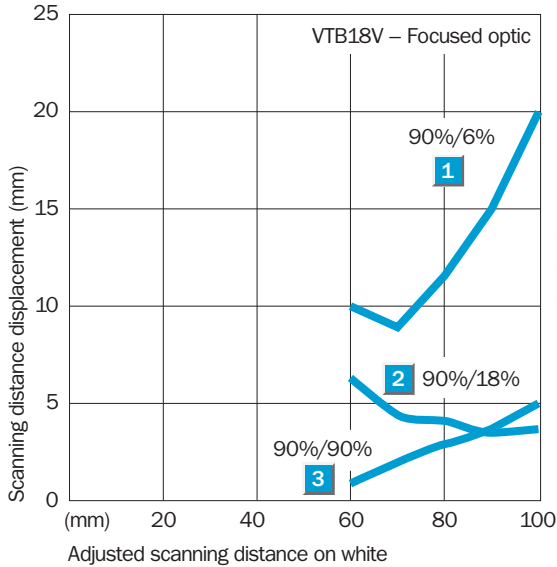
13) A = V_s connections reverse-polarity protected
B = Inputs and output reverse-polarity protected
C = Interference pulse suppression
D = Outputs overload and short-circuit protected

14) PPS with FDA certificate

Scanning distance



- 1 Scanning distance on black, 6 % remission
- 2 Scanning distance on grey, 18 % remission
- 3 Scanning distance on white, 90 % remission
- A Scanning distance adjuster on MIN
- B Scanning distance adjuster on MAX

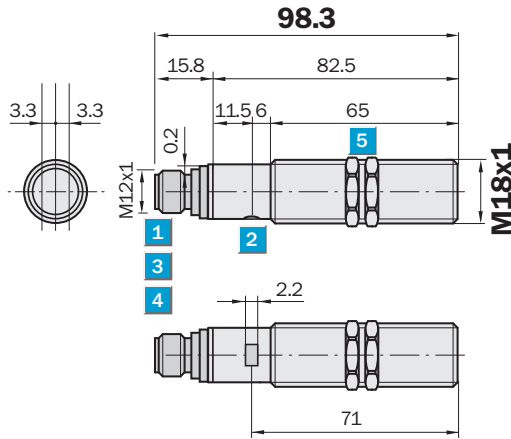


Order information	
Type	Order no.
VTB18-4P1240VS01	6037754
VTB18-4N1240VS01	6037755

	Scanning distance
	0 ... 800/0 ... 400/ 0 ... 100 mm
	Photoelectric proximity sensor

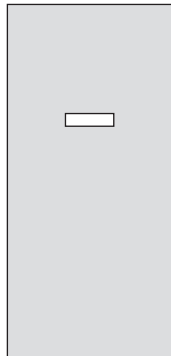
- Patented Touch-Teach-in: scanning distance setting on equipment, but without mechanical operating elements
- Wash-down design: resistant against detergents, humidity and temperature

Dimensional drawing



Adjustments possible	
VTF18-4P1240V	VTF18-4N1240V
VTE18-4P4240V	VTE18-4N4240V
VTE18-4P8240V	VTE18-4N8240V

- 1** Plug M12, 4-pin
- 2** Scanning distance adjuster Touch-Teach-in
- 3** Green LED indicator: signaling Touch-Teach-in
- 4** Yellow LED indicator: light received
 - lights continuously
 - reception signal > reserve factor 2
 - blinks: reception signal < reserve factor 2, but > switching threshold 1
- 5** Mounting nuts (2x); SW 24, stainless steel 316L (included with delivery)

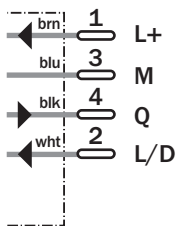


Connection type

VTF18-4P1240V	VTF18-4N1240V
VTE18-4P4240V	VTE18-4N4240V
VTE18-4P8240V	VTE18-4N8240V



M12, 4-pin



Touch-Teach-in
(Patent number: M02007A00275)

IP 69K according to DIN 40050

Stainless Steel



Accessories
Cables and connectors
Mounting systems

Technical data		VTF18-/VTE18-	4P8240V	4N8240V	4P4240V	4N4240V	4P1240V	4N1240V				
Scanning distance , typ. max. ¹⁾		0 ... 900 mm	■	■								
		0 ... 450 mm			■	■						
		0 ... 110 mm					■	■				
Operating distance ¹⁾		5 ... 800 mm	■	■								
		5 ... 400 mm			■	■						
		5 ... 100 mm					■	■				
Light spot diameter		Approx. 100 mm at 800 mm	■	■								
		Approx. 60 mm at 400 mm			■	■						
		Approx. 15 mm at 100 mm					■	■				
Angle of dispersion sender		Approx. 4.5°	■	■	■	■	■	■				
Light source ²⁾ , light type		LED, red, 660 nm					■	■				
		LED, infrared light, 880 nm	■	■	■	■						
Scanning distance setting		Manual, via Touch-Teach-in ³⁾	■	■	■	■	■	■				
Visualizing Touch-Teach-in		LED green	■	■	■	■	■	■				
Light reception indicator		LED yellow	■	■	■	■	■	■				
		Lights continuously: reserve factor >2	■	■	■	■	■	■				
		Blinks: reserve factor >1.0 ... <2.0	■	■	■	■	■	■				
Supply voltage V_S		10 ... 30 V DC ⁴⁾	■	■	■	■	■	■				
Residual ripple ⁵⁾		≤ 10 %	■	■	■	■	■	■				
Current consumption ⁶⁾		≤ 35 mA	■	■	■	■	■	■				
Switching outputs		Q: PNP, open collector	■		■		■					
		Q: NPN, open collector		■		■		■				
Signal voltage	PNP	Approx. $V_S - 2.0$ V / approx. 0 V	■		■		■					
	NPN	Approx. $V_S / \leq 2.0$ V		■		■		■				
Switching mode		Light-/dark-switching, selectable ⁷⁾	■	■	■	■	■	■				
Output current I_A max.		≤ 100 mA	■	■	■	■	■	■				
Response time ⁸⁾		≤ 1 ms	■	■	■	■	■	■				
Max. switching frequency ⁸⁾		500/s	■	■	■	■	■	■				
Connection type		Plug M12, 4-pin ¹⁰⁾	■	■	■	■	■	■				
VDE protection class		◆	■	■	■	■	■	■				
Enclosure rating		IP 67, IP 68, IP 69K ¹¹⁾	■	■	■	■	■	■				
Certificates ¹²⁾		ECOLAB, JohnsonDiversey	■	■	■	■	■	■				
Circuit protection ¹³⁾		A, B, C, D	■	■	■	■	■	■				
Ambient temperature	Operation	-25 °C ... +80 °C (continuous operating)	■	■	■	■	■	■				
	Operation	-25 °C ... +100 °C (max. 15 min)	■	■	■	■	■	■				
	Storage	-40 °C ... +80 °C	■	■	■	■	■	■				
Weight		Approx. 120 g	■	■	■	■	■	■				
Housing		M18	■	■	■	■	■	■				
Housing material	Housing:	Stainless steel AISI 316L/1.4404	■	■	■	■	■	■				
	Device plug:	M12, PPS (Grilamid) FDA 14)	■	■	■	■	■	■				
	Optic:	Plan, PPS (Grilamid) FDA 14)	■	■	■	■	■	■				

¹⁾ Object to be detected with 90% remission (relating to standard white in acc. with DIN 5033); 100 x 100 mm

²⁾ Average service life 100,000 h at $T_A = +25$ °C

³⁾ Patent number: MO2007A00275
Date: 31.08.2007

⁴⁾ Limit values

⁵⁾ May not exceed or fall short of V_S tolerances

⁶⁾ Without load, at V_S 30 V DC

⁷⁾ L/D-switching type control line
L/D = + V_S : light-switching L.ON
L/D = 0 V: dark-switching D.ON
Control line open
NPN: light-switching L.ON
PNP: dark-switching D.ON

⁸⁾ Signal transit time with resistive load

⁹⁾ With light/dark ratio 1:1

¹⁰⁾ Pins gold plated

¹¹⁾ With correct mounted IP 69K connector

¹²⁾ Refer to the corresponding certificates for details

¹³⁾ A = V_S connections reverse-polarity protected

B = Inputs and output reverse-polarity protected

C = Interference pulse suppression

D = Outputs overload and short-circuit protected

¹⁴⁾ PPS with FDA certificate

Order information	
Type	Order no.
VTF18-4P1240V	6035487
VTF18-4N1240V	6035488
VTE18-4P4240V	6035489
VTE18-4N4240V	6035490
VTE18-4P8240V	6035491
VTE18-4N8240V	6035492

Sensitivity adjustable/scanning distance setting per Touch-Teach-in for photoelectric sensors V18V in stainless steel housing

Simple & Smart:

Sensitivity adjustment per Touch-Teach-in for photoelectric sensors VTF18V, VTE18V & VL18V glass. Scanning distance adjustment via Touch Teach-in for VTB18V photoelectric sensors.

Manual sensitivity adjustment

- Per Touch-Teach-in
- Simplest handling

Activate Touch-Teach-in 1x:

- Sensitivity setting completed
- Feedback: Yellow LED indicator
- Permanent storage of the "taught-in switching threshold and hysteresis," even if power is interrupted for longer times.

Scanning distance/sensitivity adjustment, handling:

VTB18V photoelectric proximity sensor with background suppression and adjustable scanning distance:

- Always position scanned objects resp. background in nominal position,
- Align sensor directly at the target object.

VTF18V and VTE18V photoelectric proximity sensors, energetic:

- Always position object at target position,
- Align sensor directly at the target object (max. light received).

VL18V photoelectric reflex sensor:

- Always remove object,
- Align VL18V directly on the reflector (max. light reception).

Tamper protection: Touch Teach-in function can be disabled

Simple and Smart: locking/unlocking Touch Teach-in function

Handling locking Teach-in:

- Activate „Teach-in“
- VTE18V & VL18V: >11 sec
- VTB-Standard: >12 sec
- VTB18V focussed: >8 sec
- Confirmation: LED green permanently OFF

Handling release Teach-in:

- Activate „Teach-in“
- VTE18V & VL18V: >6 sec
- VTB18V: >7 sec
- Confirmation: LED green permanently ON.

Optimum sensitivity adjustment thanks to 2 easy-to-operate Touch-Teach-in options.

1 Short-Teach

1.1 Manual for VTF18V, VTE18V, VL18V glass detection variant

Sensitivity adjustment for large operating reserve (Standard setting)

1.1.1 Applications:

- For all standard applications
- High operating reserve, factor >2 above switching threshold

1.2 Manual for VTB18V

- Scanning distance adjustment directly at the target object. Observe max. adjustable scanning distance, see diagram "adjusted scanning distance/ scanning distance displacement".

1.2.1 Applications:

- Scanned object is detected up to the adjusted scanning distance; background objects immediately behind it are suppressed.

1.3 Handling Short-Teach-in:

- Short Touch; activate „Teach-in“ >2 sec ... <6 sec
- Signalizing LED green: 1x OFF/ON
- Adjustment completed; check application.

1.4 Indication after adjustment

- Green LED indicator: lights continuously
- Yellow LED indicator; lights continuously

2. Long-Teach

2.1 Manual for VTF18V, VTE18V, VL18V glass detection variant

Sensitivity adjustment for the precise switching point

2.1.1 Applications:

- For slight differences between scanning object and background and for simple contrast detection (VTF18V, VTE18V)
- For positioning tasks
- For detecting transparent objects (VL18V glass)
- "Reduced" operating reserve, factor >1<2 above switching threshold, reduced, optimized hysteresis

2.2 Manual for VTB18V (only available for VTB18V Standard!)

- Scanning distance adjustment directly on the background object - our recommended standard setting. Observe max. adjustable scanning distance, see diagram "adjusted scanning distance/scanning distance displacement".

2.2.1 Applications:

- Taught-in background object is suppressed and objects in the scanning range before it are detected.

2.3 Handling Long-Teach-in:

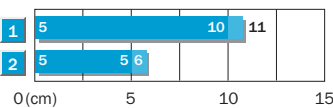
- Long Touch; activate „Teach-in“ >8 sec ... <12 sec
- Signalizing LED green: 1x OFF/ON, blinks fast
- Adjustment completed; check application.

2.4 Signalizing:

- Green LED indicator: lights continuously
- Yellow LED indicator: blinks

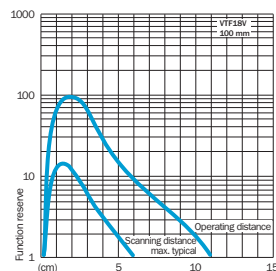
Scanning distance VTF18V & VTE18V

100 mm scanning distance VTF18V

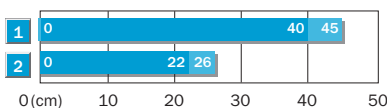


Operating distance Scanning distance, max. typical

- 1 Scanning range on white, 90 % remission
- 2 Scanning range on grey, 18 % remission

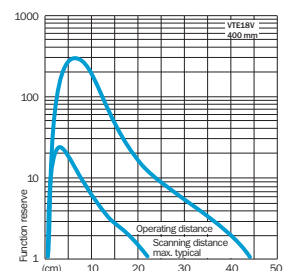


400 mm scanning distance VTE18V

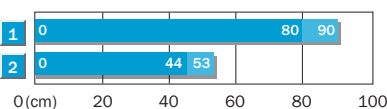


Operating distance Scanning distance, max. typical

- 1 Scanning range on white, 90 % remission
- 2 Scanning range on grey, 18 % remission

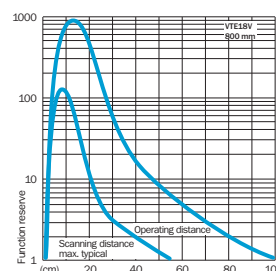


800 mm scanning distance VTE18V



Operating distance Scanning distance, max. typical

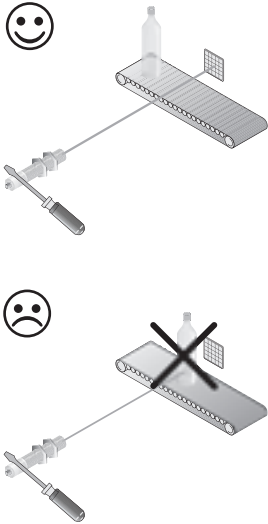
- 1 Scanning range on white, 90 % remission
- 2 Scanning range on grey, 18 % remission



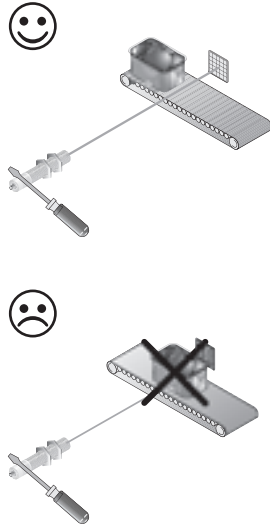
Touch-Teach-in: Sensitivity adjustable/scanning distance setting photoelectric reflex sensor V18V in stainless steel housing

Application VL18V Glass photoelectric reflex sensor

- **Substantial operating reserve**
short "Teach-in time"
> 2 s ... < 6 s

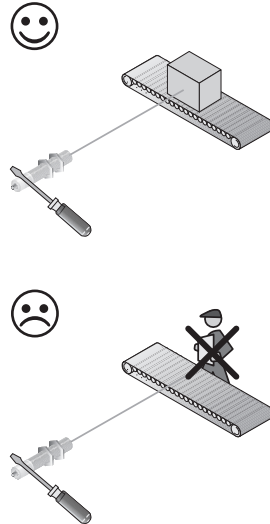


- **Precise switching point**
long "Teach-in time"
> 8 s ... < 12 s

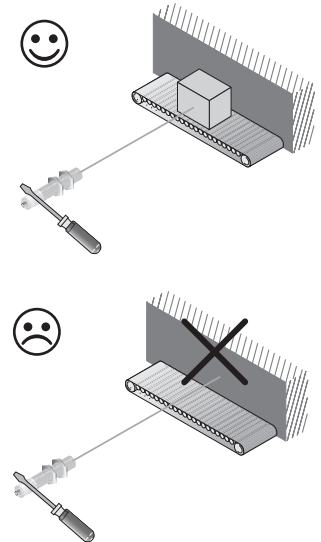


Application VTF18V & VTE18V photoelectric proximity sensor, energetic

- **Substantial operating reserve**
short "Teach-in time"
> 2 s ... < 6 s

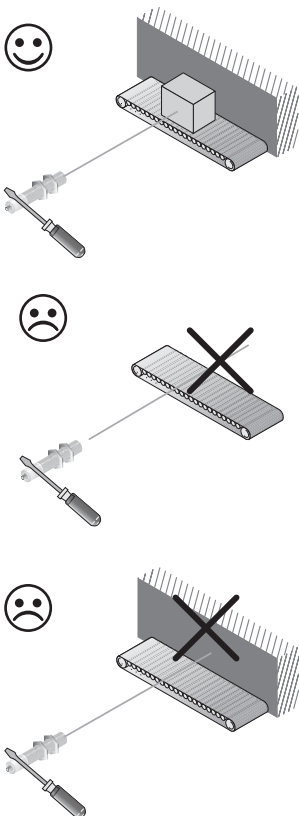


- **Precise switching point**
long "Teach-in time"
> 8 s ... < 12 s

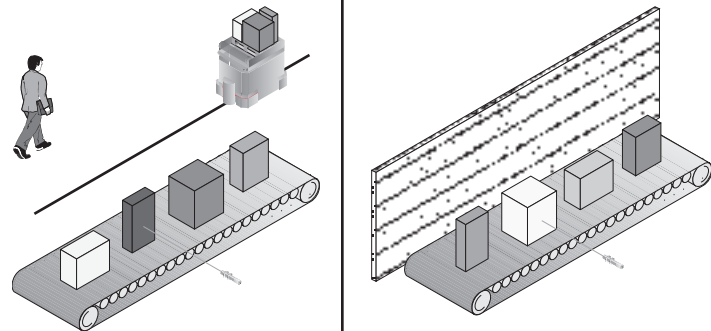
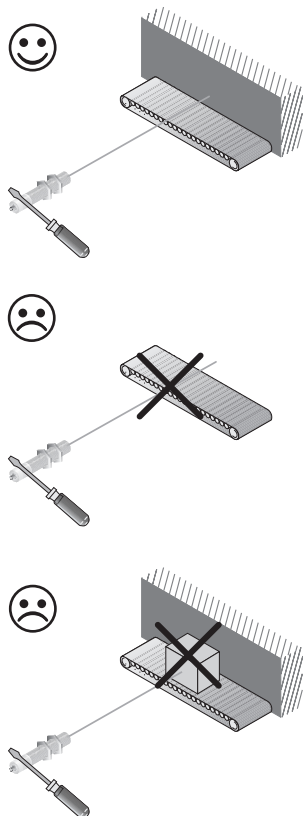


Application VTB18V Photoelectric proximity sensor with BGS

- **Teach-in on object**
short "Teach-in time"
> 2 s ... < 7 s



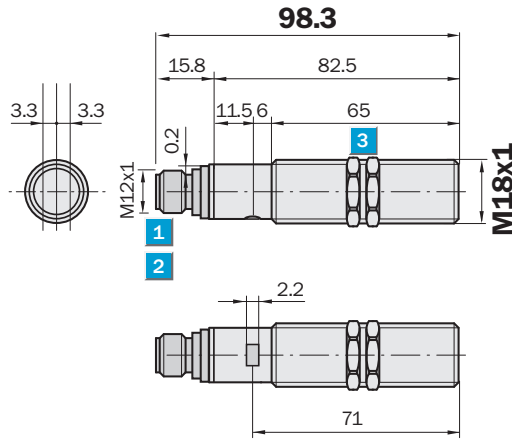
- **Teach-in on background**
long "Teach-in time"
> 8 s ... < 12 s
Function not possible with
VTB18V focused optics.



	Scanning range 0.1 ... 5 m (PL80A)
Photoelectric reflex sensors	

- Wash-down design: resistant against detergents, humidity and temperature
- Hygienic design: Stainless steel housing & suitable, FDA certified synthetic materials

Dimensional drawing



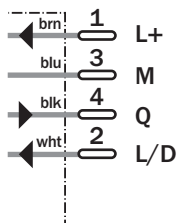
- 1** Plug M12, 4-pin
- 2** Yellow LED indicator: light received
 - lights continuously: reception signal > reserve factor 2
 - blinks: reception signal < reserve factor 2, but > switching threshold 1
- 3** Mounting nuts (2x); SW 24, stainless steel 316L (included with delivery)

Connection type

- VL18-4P3140V
- VL18-4N3140V



M12, 4-pin



ECOLAB®
 JohnsonDiversey

IP 69K according to DIN 40050

Stainless Steel



Accessories
Cables and connectors
Mounting systems
Reflectors

Technical data		VL18-	4P3140V	4N3140V								
Scanning range SR , typ. max./Reflector	0.1 ... 5.0 m/PL80A											
Operating range	0.1 ... 4.5 m/PL80A											
Light spot diameter	Approx. 200 mm at 4.5 m											
Angle of dispersion sender	Approx. 2.5°											
Light source ¹⁾ , light type	LED, red 660 nm, with polarising filter											
Light reception indicator	LED yellow											
	Lights continuously: reserve factor >2											
	Blinks: reserve factor >1.0 ... <2.0											
Supply voltage V_S	10 ... 30 V DC ²⁾											
Residual ripple ³⁾	≤ 10 %											
Current consumption ⁴⁾	≤ 35 mA											
Switching outputs	Q: PNP, open collector											
	Q: NPN, open collector											
Signal voltage PNP	Approx. V _S -2.0 V/approx. 0 V											
NPN	Approx. V _S / ≤ 2.0 V											
Switching mode	Light-/dark-switching, selectable ⁵⁾											
Output current I_A max.	≤ 100 mA											
Response time ⁶⁾	≤ 1 ms											
Max. switching frequency ⁷⁾	500/s											
Connection types	Plug M12, 4-pin ⁸⁾											
VDE protection class	⊠											
Enclosure rating	IP 67, IP 68, IP 69K ⁹⁾											
Certificates ¹⁰⁾	ECOLAB, JohnsonDiversey											
Circuit protection ¹¹⁾	A, B, C, D											
Ambient temperature	Operation -25 °C ... +80 °C (continuous operating)											
	Storage -40 °C ... +80 °C											
Weight	Approx. 120 g											
Housing	M18											
Housing material	Housing: Stainless steel AISI 316L											
	Device plug: M12, PPS (Grilamid) FDA ¹²⁾											
	Optic: Plan, PMMA Surface hardened and tempered (FDA ¹²⁾)											

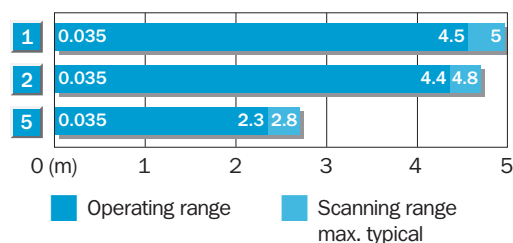
1) Average service life 100,000 h at T_A = +25 °C
 2) Limit values
 3) May not exceed or fall short of V_S tolerances
 4) Without load

5) L/D-switching type control line
 L/D = + V_S: light-switching L.ON
 L/D = 0 V: dark-switching D.ON
 Control line open
 NPN: light-switching L.ON
 PNP: dark-switching D.ON
 6) Signal transit time with resistive load

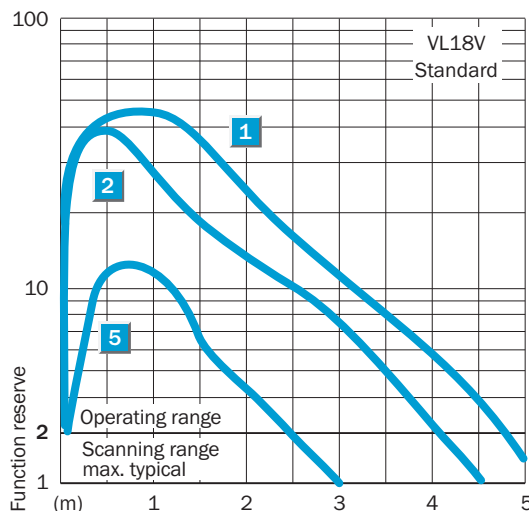
7) With light/dark ratio 1:1
 8) Pins gold plated
 9) With correct mounted IP 69K connector
 10) Refer to the corresponding certificates for details
 11) A = V_S connections reverse-polarity protected

B = Inputs and output reverse-polarity protected
 C = Interference pulse suppression
 D = Outputs overload and short-circuit protected
 12) PMMA with FDA certificate

Scanning range and function reserve



Reflector-Type	Operating range
1 PL80A	0.035 ... 4.5 m
2 C110A	0.035 ... 4.4 m
3 PL50A/PL40A PL30A/PL31A	0.035 ... 3.5 m
4 P250	0.035 ... 3.3 m
5 P250CHEM	0.035 ... 2.3 m
6 PL20CHEM	0.035 ... 1.0 m



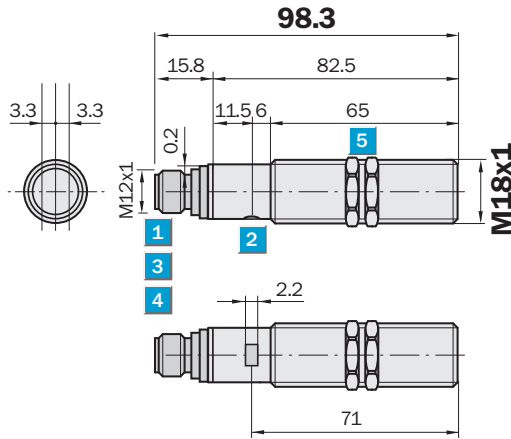
Order information

Type	Order no.
VL18-4P3140V	6035495
VL18-4N3140V	6035496

	Scanning range 0.03 ... 4.5 m (PL80A)
Photoelectric reflex sensors	

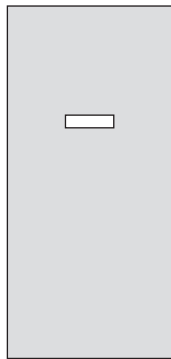
- **Patented Touch-Teach-in:**
Sensitivity adjustment on equipment, but without mechanical operating elements
- **Wash-down design:** resistant against detergents, humidity and temperature
- **Ideal for detecting glass and transparent foils**

Dimensional drawing



Adjustments possible

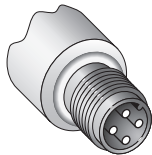
VL18-4P2240V
VL18-4N2240V



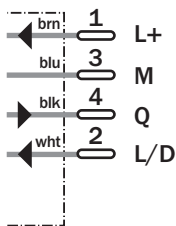
- 1** Plug M12, 4-pin
- 2** Sensitivity adjustment Touch-Teach-in
- 3** Green LED indicator: signaling Touch-Teach-in
- 4** Yellow LED indicator: light received
 - lights continuously: reception signal > reserve factor 2
 - blinks: reception signal < reserve factor 2, but > switching threshold 1
- 5** Mounting nuts (2x); SW 24, stainless steel 316L (included with delivery)

Connection type

VL18-4P2240V	VL18-4P2740V
VL18-4N2240V	VL18-4N2740V



M12, 4-pin



ECOLAB®
JohnsonDiversey

IP 69K according to DIN 40050

Stainless Steel

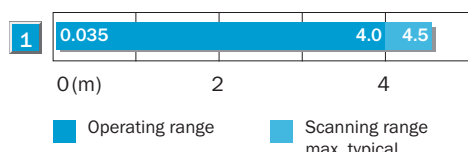


Accessories
Cables and connectors
Mounting systems
Reflectors

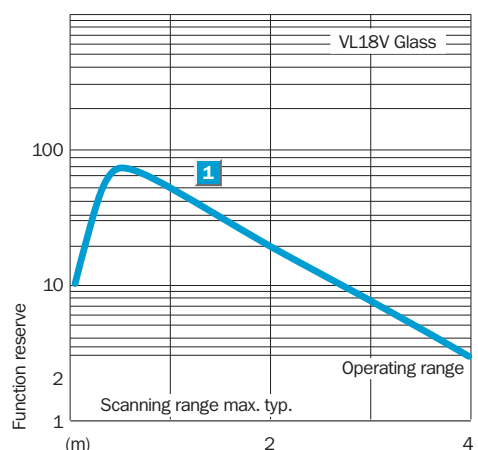
Technical data		VL18-	4P2240V	4N2240V						
Scanning range SR , typ. max./Reflector		0.035 ... 4.5 m/PL80A								
Operating range		0.035 ... 4.0 m/PL80A								
Light spot diameter		Approx. 60 mm at 1.0 m								
Angle of dispersion sender		Approx. 3°								
Detection of transparent objects										
Attenuation in light path		≥ 20%								
Attenuation difference in light path		≥ 15%								
Object attenuation difference		≥ 7.5%								
Light source ¹⁾ , light type		LED, red, 660 nm								
Sensitivity adjustable		Manual, via Touch-Teach-in ²⁾								
Visualizing Touch-Teach-in		LED green								
Light reception indicator		LED yellow								
		Lights continuously: reserve factor >2								
		Blinks: reserve factor >1.0 ... >2.0								
Supply voltage V _S		10 ... 30 V DC ³⁾								
Residual ripple ⁴⁾		≤ 10 %								
Current consumption ⁵⁾		≤ 35 mA								
Switching outputs		Q: PNP, open collector								
		Q: NPN, open collector								
Signal voltage	PNP	Approx. V _S -2.0 V/approx. 0 V								
	NPN	Approx. V _S /≤ 2.0 V								
Switching mode		Light-/dark-switching, selectable ⁶⁾								
Output current I _A max.		≤ 100 mA								
Response time ⁷⁾		≤ 1 ms								
Max. switching frequency ⁸⁾		500/s								
Connection types		Plug M12, 4-pin ⁹⁾								
VDE protection class		⊕								
Enclosure rating		IP 67, IP 68, IP 69K ¹⁰⁾								
Certificates ¹¹⁾		ECOLAB, JohnsonDiversey								
Circuit protection ¹²⁾		A, B, C, D								
Ambient temperature	Operation	-25 °C ... +80 °C (continuous operating)								
	Operation	-25 °C ... +100 °C (max. 15 min)								
	Storage	-40 °C ... +80 °C								
Weight		Approx. 120 g								
Housing		M18								
Housing material	Housing:	Stainless steel AISI 316L/14404								
	Device plug:	M12, PPS (Grilamid) FDA ¹³⁾								
	Optic:	Plan, PPS (Grilamid) FDA ¹³⁾								

- ¹⁾ Average service life 100,000 h at T_A = +25 °C
- ²⁾ Patent number: MO2007A00275
Date: 31.08.2007
- ³⁾ Limit values
- ⁴⁾ May not exceed or fall short of V_S tolerances
- ⁵⁾ Without load
- ⁶⁾ L/D-switching type control line
L/D = + V_S: light-switching L.ON
L/D = 0 V: dark-switching D.ON
Control line open
NPN: light-switching L.ON
PNP: dark-switching D.ON
- ⁷⁾ Signal transit time with resistive load
- ⁸⁾ With light/dark ratio 1:1
- ⁹⁾ Pins gold plated
- ¹⁰⁾ With correct mounted IP 69K connector
- ¹¹⁾ Refer to the corresponding certificates for details
- ¹²⁾ A = V_S connections reverse-polarity protected
B = Inputs and output reverse-polarity protected
C = Interference pulse suppression
D = Outputs overload and short-circuit protected
- ¹³⁾ PPS with FDA certificate

Scanning range and function reserve



Reflector type	Operating range
1 PL80A	0.035 ... 4.0 m
2 C110A	0.035 ... 3.8 m
3 PL50A/PL40A PL30A/PL31A	0.035 ... 3.2 m
4 P250	0.035 ... 2.5 m
5 P250CHEM	0.035 ... 1.5 m
6 PL20CHEM	0.035 ... 0.8 m



Order information

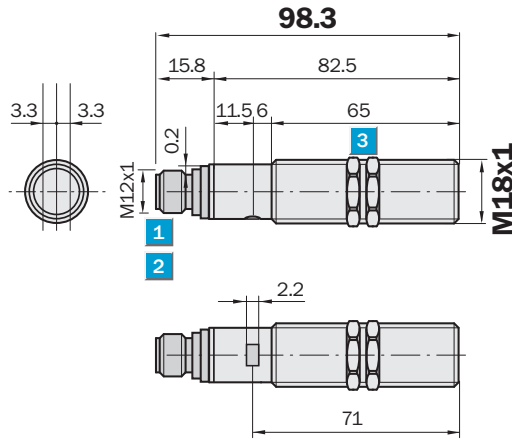
Type	Order no.
VL18-4P2240V	6035497
VL18-4N2240V	6035498

Scanning range
0 ... 20 m

Through-beam photoelectric sensors

- Wash-down design: resistant against detergents, humidity and temperature
- Hygienic design: Stainless steel housing & suitable, FDA certified synthetic materials
- For $T_A +80\text{ }^\circ\text{C}$ (15 min: $100\text{ }^\circ\text{C}$)

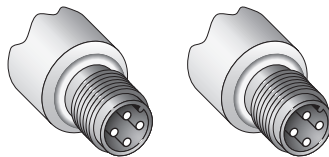
Dimensional drawing



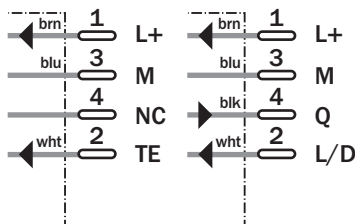
- 1** Plug M12, 4-pin
- 2** Yellow LED indicator, (only receiver VE18V)
 - lights continuously: reception signal > reserve factor 2
 - blinks: reception signal < reserve factor 2, but > switching threshold 1
- Yellow LED indicator, (only sender VS18V)
 - lights continuously : sender active
 - does not light: sender off
- 3** Mounting nuts (2x); SW 24, stainless steel 316L (included with delivery)

Connection types

VS/VE18-4P3140V VS/VE18-4N3140V



Sender	Receiver
M12, 4-pin	M12, 4-pin



Touch-Teach-in
(Patent number: M02007A00275)

IP 69K according to DIN 40050

Stainless Steel



Accessories
Cables and connectors
Mounting systems

Technical data		VS/VE18-	4P3140V	4N3140V								
Scanning range SR , typ. max.	0 ... 20 m											
Operating range	0 ... 18 m											
Light spot diameter	Approx. 600 mm at 15 m											
Angle of dispersion sender	Approx. 2.5°											
Angle of reception receiver	Approx. 8° (SR = max.)											
Light source ¹⁾ , light type	LED, infrared, 880 nm											
Status indicators	LED yellow (only VS18V): Sender ON											
Light reception indicator	LED yellow (only VE18V): Lights continuously: reserve factor >2 Blinks: reserve factor >1.0 ... <2.0											
Supply voltage V_s	10 ... 30 V DC ²⁾											
Residual ripple ³⁾	≤ 10 %											
Current consumption ⁴⁾	Sender ≤ 35 mA Receiver ≤ 40 mA											
Switching outputs	Q: PNP, open collector Q: NPN, open collector											
Signal voltage PNP	Approx. $V_s - 2.0$ V / approx. 0 V											
Signal voltage NPN	Approx. $V_s / \leq 2.0$ V											
Switching mode	Light/dark-switching, selectable ⁵⁾											
Output current I_A max.	≤ 100 mA											
Response time ⁶⁾	≤ 2 ms											
Max. switching frequency ⁷⁾	250/s											
Test input TE	0 V = Sender inactive											
Connection types	Plug M12, 4-pin ⁸⁾											
VDE protection class	⊠											
Enclosure rating	IP 67, IP 68, IP 69K ⁹⁾											
Certificates ¹⁰⁾	ECOLAB, JohnsonDiversey											
Circuit protection ¹¹⁾	A, B, C, D											
Ambient temperature	Operation -25 °C ... +80 °C (continuous operating) Operation -25 °C ... +100 °C (max. 15 min) Storage -40 °C ... +80 °C											
Weight	Sender and receiver each approx. 120 g											
Housing	M18											
Housing material	Housing: Stainless steel AISI 316L/1.4404 Device plug: M12, PPS (Grilamid) FDA ¹²⁾ Optic: Plan, PPS (Grilamid) FDA ¹²⁾											

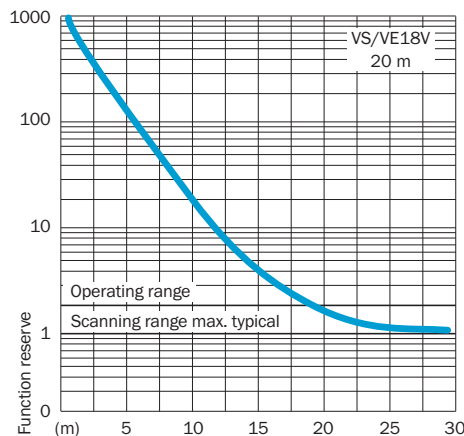
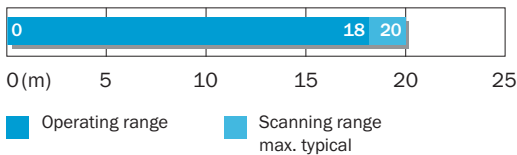
¹⁾ Average service life 100,000 h at $T_A = +25$ °C
²⁾ Limit values
³⁾ May not exceed or fall short of V_s tolerances
⁴⁾ Without load

⁵⁾ L/D-switching type control line
 L/D = + V_s : light-switching L.ON
 L/D = 0 V: dark-switching D.ON
 Control line open
 NPN: light-switching L.ON
 PNP: dark-switching D.ON

⁶⁾ Signal transit time with resistive load
⁷⁾ With light/dark ratio 1:1
⁸⁾ Pins gold plated
⁹⁾ With correct mounted IP 69K connector
¹⁰⁾ Refer to the corresponding certificates for details

¹¹⁾ A = V_s connections reverse-polarity protected
 B = Inputs and output reverse-polarity protected
 C = Interference pulse suppression
 D = Outputs overload and short-circuit protected
¹²⁾ PPS with FDA certificate

Scanning range and function reserve



Order information

Type	Order no.
VS/VE18-4P3140V	6035499
VS/VE18-4N3140V	6035500

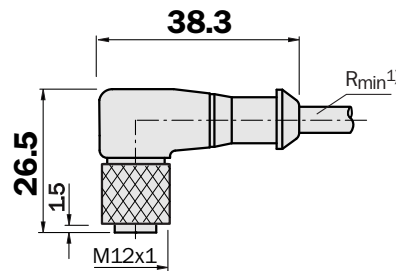
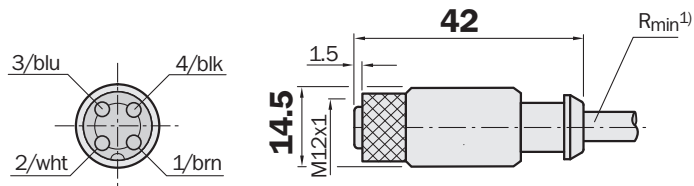
Connecting cables "Food & Beverage"

Round connectors

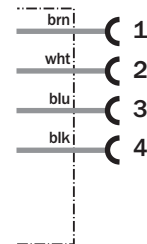
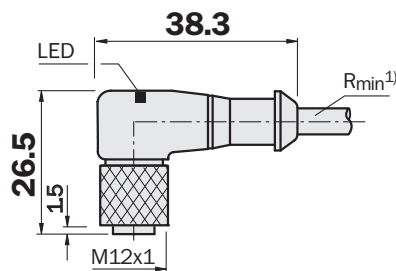
- Especially suitable for use in the "Food & Beverage" branch
- Gold plated pins
- Improved resistance to chemicals, acids and cleaning agent
- Enclosure rating IP 69K (only in fully locked position with its plugs)
- Stainless steel locking nut (V4A)

Dimensional drawings

DOL-12...



DOL-1204-L...



Contacts	Wire colour
1	brown
2	white
3	blue
4	black

1) Minimum bend radius in dynamic use
 $R_{min} = 20 \times \text{cable diameter}$



Technical data

Nominal voltage U_b	250 V AC/300 V DC (M12, 4-pin, connector)
	10 ... 30 V DC (M12, LED indicator)
Contact resistance	≤ 5 mΩ
Nominal power	4 A (CSA = 3 A)
Test voltage	2.0 kV eff./60 s. (4-pin)
Insulation group	C acc. VDE 0110
Insulation resistance	> 10 ⁹ Ω
Temperature range	In fixed position -25 °C ... +90 °C
	In flexible position +5 °C ... +90 °C
Bending radius	> 10 x diameter of cable
Contact	CuZn, 0.3 μm gold plated
Locking nut	Stainless steel V4A
Cable	PVC, colour orange
Conductor diameter	4 x 0.25 mm ²
Connector	PVC, colour orange
Enclosure rating	IP 69K (only when in fully screwed-in position with corresponding counterparts. Breakaway torque 0.7 Nm)

Order information

Round connectors M12 connecting cable "Food & Beverage"

Type	Order no.	Description	Contacts	Cable length [m]
DOL-1204-G02MN	6028128	Female connector straight	4	2
DOL-1204-G05MN	6028130	Female connector straight	4	5
DOL-1204-G10MN	6028132	Female connector straight	4	10
DOL-1204-G25MN	6028134	Female connector straight	4	25
DOL-1204-W02MN	6028129	Female connector angled	4	2
DOL-1204-W05MN	6028131	Female connector angled	4	5
DOL-1204-W10MN	6028133	Female connector angled	4	10
DOL-1204-W25MN	6028135	Female connector angled	4	25
DOL-1204-L02MN	6028136	Female connector angled LED (PNP)	4	2
DOL-1204-L05MN	6028137	Female connector angled LED (PNP)	4	5
DOL-1204-L10MN	6028138	Female connector angled LED (PNP)	4	10
DOL-1204-L25MN	6028139	Female connector angled LED (PNP)	4	25

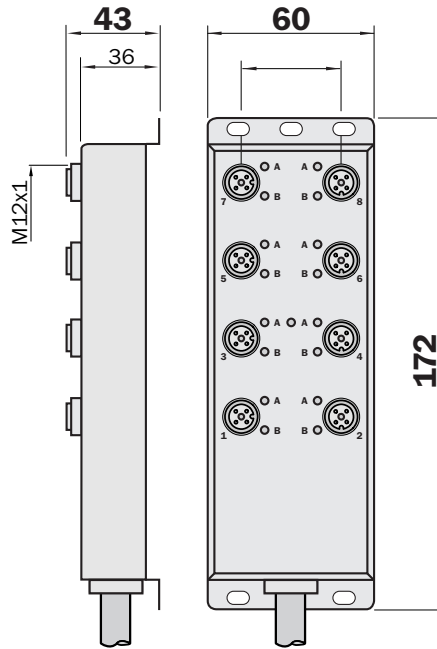
**“Food & Beverage”
IP 69K, V4A**

Sensor splitter-box

- Enclosure rating IP 69K (only in fully locked position with its plugs or dust covers)
- Housing & thread material: stainless steel V4A
- Especially suitable for use in the “Food & Beverage” branch
- Improved resistance to chemicals, acids and cleaning agent

Dimensional drawing

SNL-08...



M12-Contacts	Wire colour	Signal/outlet
1	brown	+
3	blue	-
2	grey/pink	1
	red/blue	2
	white/green	3
	brown/green	4
	white/yellow	5
	yellow/brown	6
	white/grey	7
	grey/brown	8
4	white	1
	green	2
	yellow	3
	grey	4
	pink	5
	red	6
	black	7
	violett	8
5	green/yellow	PE

Technical data

Temperature range	0 °C ... +60 °C
Materials	
Housing	V4A stainless steel
Moulded body	PVC
Contact	CuZn, pre-nickel and 0.8 µm gold plated
Threaded sleeve	V4A stainless steel
O-Ring	EPDM
Mechanical data	
Enclosure rating	IP 69K (only in fully locked position with its plugs, breakaway torque 0.5 Nm)
Electrical data	
Contact resistance	≤ 5 mΩ
Nominal power	4 A via outlet/11 A max. total at 30 °C (refer to correction factors EN 60204-1)
Nominal voltage U_b	10 ... 30 V DC
Reference voltage	32 V ~ eff.
Insulation resistance	> 10 ⁹ Ω
Pollution grade	2 acc. VDE 0110
Cable	PVC, colour black, 3 x 1.0 mm ² /16 x 0.5 mm ² (appropriate for drag cable use)
Accessories	4 dust covers for unused sockets

Order information**Sensor splitter-box "Food & Beverage", IP 69K, V4A (1.4404/316 L), M12 x 1 mm (5-pin), 8 female connector, connection types cable**

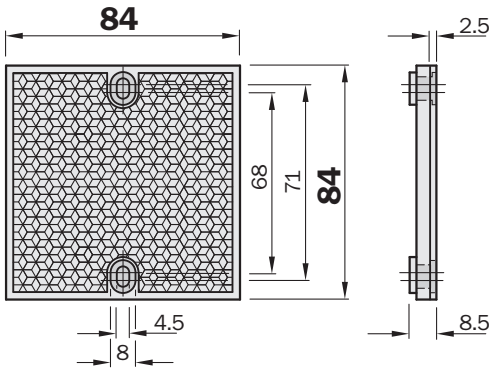
Type	Order no.	Connecting cable		
		Length [m]	Lead [mm ²]	Cable
SNL-08D12-KA05	6027586	5	3 x 1.0/16 x 0.5	PVC black
SNL-08D12-KA10	6027587	10	3 x 1.0/16 x 0.5	PVC black
SNL-08D12-KA15	6027588	15	3 x 1.0/16 x 0.5	PVC black

Dimensional drawings and order information

Reflectors for VL18V plastic design, angular for temperatures up to 65 °C

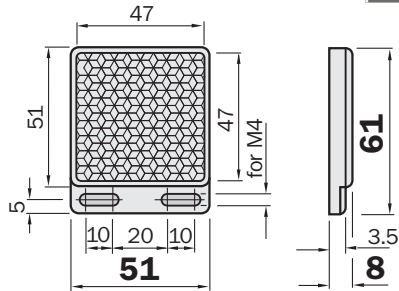
Reflector 80 x 80 mm

Type	Order no.
PL80A	1003865



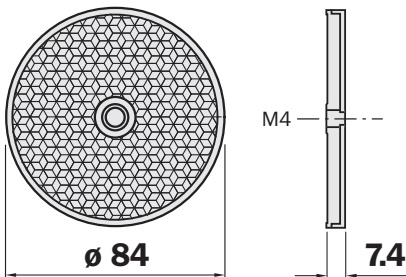
Reflector 47 x 47 mm

Type	Order no.	Applications
P250	5304812	Standard
P250H	5315124	Heat-resistant to +110 °C
P250CHEM	5321097	Increased chemical durability, -20 °C ... +80 °C



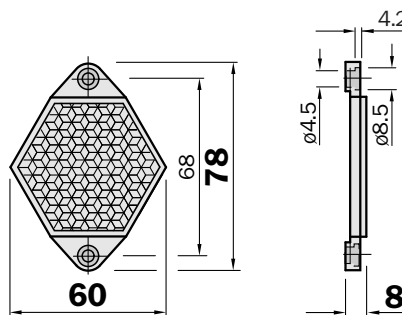
Reflector, Ø 83 mm, centre hole mounting

Type	Order no.
C110A	5304549



Reflector, 6-sided, width across flats 48 mm

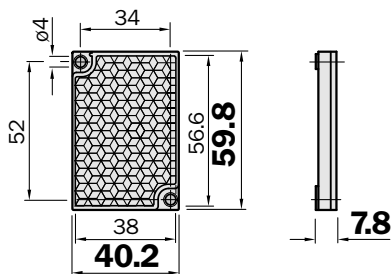
Type	Order no.
PL50A	1000132



Also available in heatable model:
 Continuous heating: PL50HK,
 Order no. 1001545
 Regulated heating: PL50HS,
 Order no. 1009871

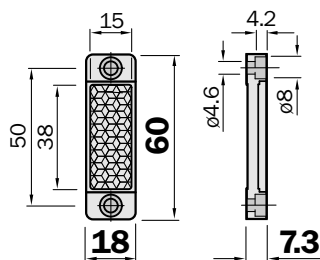
Reflector 38 x 56 mm

Type	Order no.
PL40A	1012720



Reflector 20 x 40 mm

Type	Order no.	Applications
PL20A	1012719	Standard
PL20CHEM	5321089	Increased chemical durability, -20 °C ... +80 °C



Dimensional drawings and order information

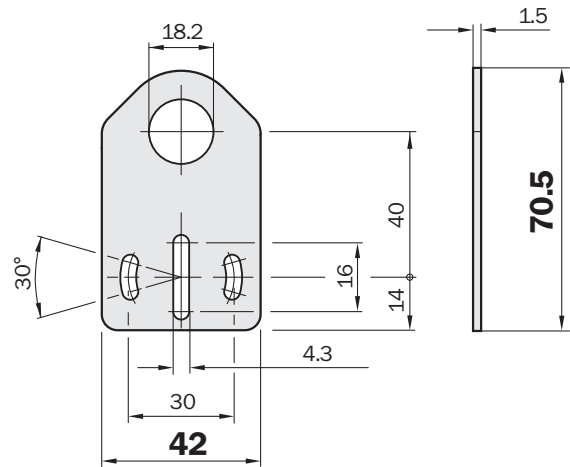
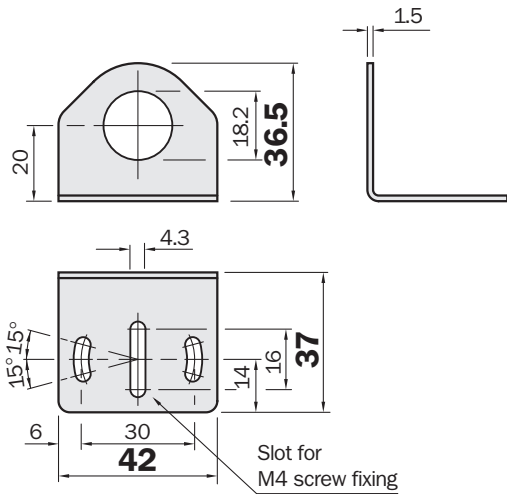
Mounting systems

Mounting bracket, material stainless steel 1.4404

Type	Order no.
BEF-WN-M18N	5320947

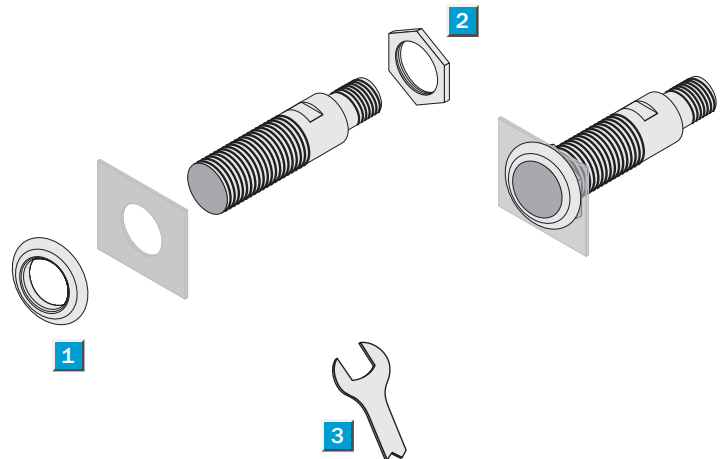
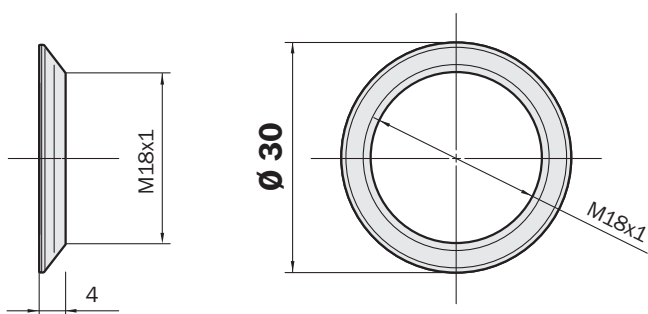
Mounting bracket, material stainless steel 1.4404

Type	Order no.
BEF-WG-M18N	5320948



Mounting ring for V18V, material stainless steel 1.4404

Type	Order no.
BEF-WN-MH15-2V	4053358



- 1 Mounting ring BEF-WN-MH15-2V (4053358) for flush mounting
- 2 2 x M18x1/V4A (4053361) nuts provided with the V18V scope of supply
- 3 Max. breakaway torque 15 Nm

Australia

Phone +61 3 9497 4100
1800 33 48 02 - tollfree
E-Mail sales@sick.com.au

Belgium/Luxembourg

Phone +32 (0)2 466 55 66
E-Mail info@sick.be

Brasil

Phone +55 11 3215-4900
E-Mail sac@sick.com.br

Ceská Republika

Phone +420 2 57 91 18 50
E-Mail sick@sick.cz

China

Phone +852-2763 6966
E-Mail ghk@sick.com.hk

Danmark

Phone +45 45 82 64 00
E-Mail sick@sick.dk

Deutschland

Phone +49 211 5301-301
E-Mail kundenservice@sick.de

España

Phone +34 93 480 31 00
E-Mail info@sick.es

France

Phone +33 1 64 62 35 00
E-Mail info@sick.fr

Great Britain

Phone +44 (0)1727 831121
E-Mail info@sick.co.uk

India

Phone +91-22-4033 8333
E-Mail info@sick-india.com

Israel

Phone +972-4-999-0590
E-Mail info@sick-sensors.com

Italia

Phone +39 02 27 43 41
E-Mail info@sick.it

Japan

Phone +81 (0)3 3358 1341
E-Mail support@sick.jp

Nederlands

Phone +31 (0)30 229 25 44
E-Mail info@sick.nl

Norge

Phone +47 67 81 50 00
E-Mail austefjord@sick.no

Österreich

Phone +43 (0)22 36 62 28 8-0
E-Mail office@sick.at

Polska

Phone +48 22 837 40 50
E-Mail info@sick.pl

Republic of Korea

Phone +82-2 786 6321/4
E-Mail kang@sickkorea.net

Republika Slovenija

Phone +386 (0)1-47 69 990
E-Mail office@sick.si

România

Phone +40 356 171 120
E-Mail office@sick.ro

Russia

Phone +7 495 775 05 34
E-Mail info@sick-automation.ru

Schweiz

Phone +41 41 619 29 39
E-Mail contact@sick.ch

Singapore

Phone +65 6744 3732
E-Mail admin@sicksgp.com.sg

Suomi

Phone +358-9-25 15 800
E-Mail sick@sick.fi

Sverige

Phone +46 10 110 10 00
E-Mail info@sick.se

Taiwan

Phone +886 2 2375-6288
E-Mail sales@sick.com.tw

Türkiye

Phone +90 216 587 74 00
E-Mail info@sick.com.tr

United Arab Emirates

Phone +971 4 8865 878
E-Mail info@sick.ae

USA/Canada/México

Phone +1(952) 941-6780
1 800-325-7425 - tollfree
E-Mail info@sickusa.com

More representatives and agencies
in all major industrial nations at
www.sick.com