



## MH15V Photoelectric Sensor Series for Food & Beverage

100 % stainless steel in shortest housing

Our know-how – your benefits:

Corrosion- & cleaning-resistant,  
robust and inexpensive.

- Corrosion-resistant thanks to 100 % stainless steel housing,
- Cleaning-resistant – certified by the independent institutes:
  - ECOLAB
  - JohnsonDiversey
 both confirm that this photoelectric sensor series is suitable for handling substantial loads,
- Waterproof – IP 69K according to DIN 40050.
- Very short housing length, consequently short insertion depth and simple handling,
- Novel mounting accessories – for fast, inexpensive and easy mounting.

The MH15V and its ranges:

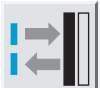
- MHSE15V through-beam system: scanning range 5.0 m,
- MHL15V photoelectric reflex sensor: range 5.0 m (PL80A) with polarizing filter,
- MHTB15V photoelectric proximity sensor with background suppression and adjustable scanning distance 300 mm (90 % reflectance),
- MHT15V photoelectric proximity sensor: energetic, scanning distance 350 mm/100 mm (90 % reflectance).

MH15V for Food & Beverage can be used universally. They have been developed specifically for all standard applications in the areas: foodstuffs production, beverage technology and the corresponding handling facilities.



### Benefits at a glance

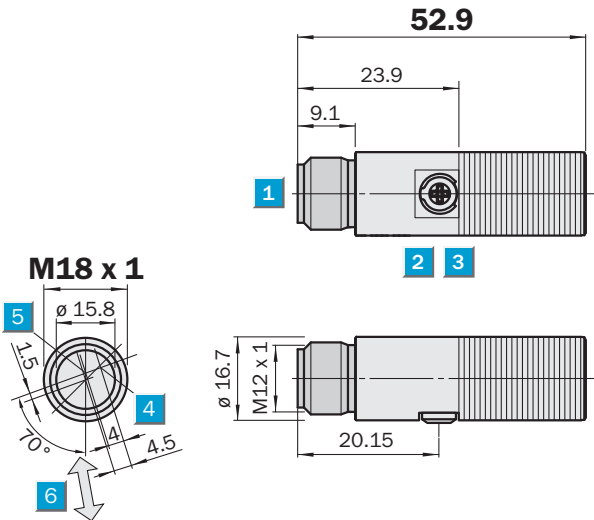
- Corrosion-resistant
- Cleaning-resistant
- Waterproof
- Very short housing length
- Novel mounting accessories

 **Scanning distance**  
2 ... 300 mm

Photoelectric proximity sensors, BGS

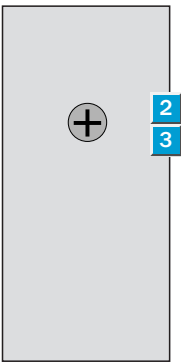
- Large scanning distance, adjustable
- Precise background suppression, object detection irrespective of colour and background materials
- Small and visible light spot thanks to PinPoint LED
- 100% stainless steel housing
- Enclosure rating IP 69K, IP 67

**Dimensional drawing**



**Adjustments possible**

All types

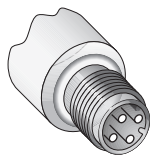


- 1 M12 plug, 4-pin
- 2 Sensitivity control 270°
- 3 Yellow LED indicator,
  - lights continuously: Light reception, reserve factor > 1.3
  - blinks: Light reception, reserve factor > 1.0 ... < 1.3

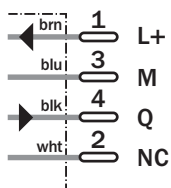


**Connection type**

- MHT15-P3247V
- MHT15-P3347V
- MHT15-N3247V
- MHT15-N3347V



4-pin, M12



IP 69K according to DIN 40050

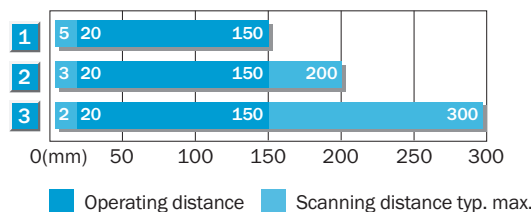
**Stainless Steel**

Accessories
Cables and connectors
Mounting systems

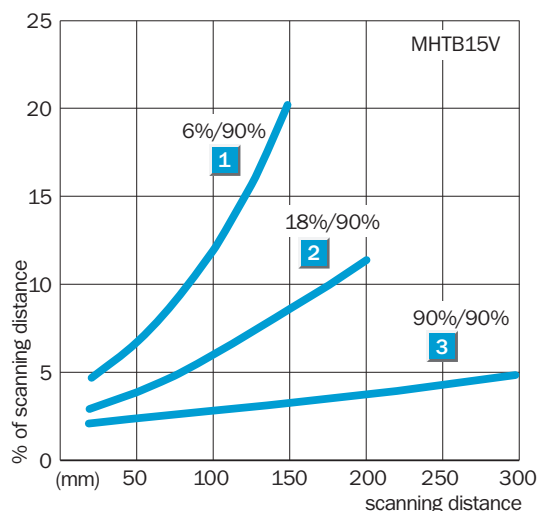
Technical data		MHTB15-	P3267V	P3367V	N3267V	N3367V						
Scanning distance SD, typ. max. <sup>1)</sup>	2 ... 300 mm											
Operating distance SD <sup>1)</sup>	2 ... 300 mm; (150 mm at 6% remission)											
Adjustment range min./max. <sup>4)</sup> adjustable	20 ... 300 mm											
Sensitivity adjustable	Potentiometer 270°											
Light spot diameter	Approx. 7 mm at 100 mm/ Approx. 6 mm at 150 mm											
Light source <sup>2)</sup> , light type	PinPoint LED, infrared, 650 nm <sup>2)</sup>											
Optical axis	Axial											
Light reception indicator yellow LED	Lights: Light reception											
Supply voltage V <sub>s</sub>	10 ... 30 V DC <sup>3)</sup>											
Residual ripple <sup>4)</sup>	≤ 5 V <sub>pp</sub>											
Current consumption <sup>5)</sup>	≤ 30 mA											
Switching outputs	Q: PNP Q: NPN											
Signal voltage HIGH	V <sub>s</sub> - (< 2.9 V) V <sub>s</sub>											
Signal voltage LOW	Approx. 0 V ≤ 2.9 V											
Switching mode	Light-switching Dark-switching											
Output current I <sub>A</sub> max. <sup>6)</sup>	≤ 100 mA											
Response time <sup>7)</sup>	≤ 0.72 ms											
Max. switching frequency <sup>8)</sup>	700/s											
Connection type	Plug M12, 4-pin <sup>9)</sup>											
VDE protection class	◇											
Enclosure rating	IP 67, IP 69K acc. to DIN 40050											
Certificates <sup>10)</sup>	ECOLAB, JohnsonDiversey											
Circuit protection <sup>11)</sup>	A, B, C											
Ambient temperature T <sub>A</sub>	Operation -25 °C ... +55 °C Storage -25 °C ... +70 °C											
Weight	Approx. 50 g											
Housing material	Housing: 100% stainless steel 1.4404 Optic: PMMA 3 mm, surface hardened and tempered											

<sup>1)</sup> Object with 90% remission (based on standard white DIN 5033); 100 x 100 mm  
<sup>2)</sup> Average service life 100,000 h at T<sub>A</sub> = +25 °C  
<sup>3)</sup> Limit values, operation in short-circuit protected network max. 8 A  
<sup>4)</sup> May not exceed or fall short of V<sub>s</sub> tolerances  
<sup>5)</sup> Without load  
<sup>6)</sup> If operating temperature > 50 °C reduced output current: I<sub>A</sub> max. = 50 mA  
<sup>7)</sup> Signal transit time with resistive load  
<sup>8)</sup> With light/dark ratio 1:1  
<sup>9)</sup> Gold-plated contact pins  
<sup>10)</sup> Refer to the corresponding certificates for details  
<sup>11)</sup> A = V<sub>s</sub> connections reverse-polarity protected  
 B = Interference pulse suppression  
 C = Outputs overcurrent and short-circuit protected

**Scanning distance**




- 1 Scanning distance on black, 6% remission
- 2 Scanning distance on grey, 18% remission
- 3 Scanning distance on white, 90% remission



**Order information**

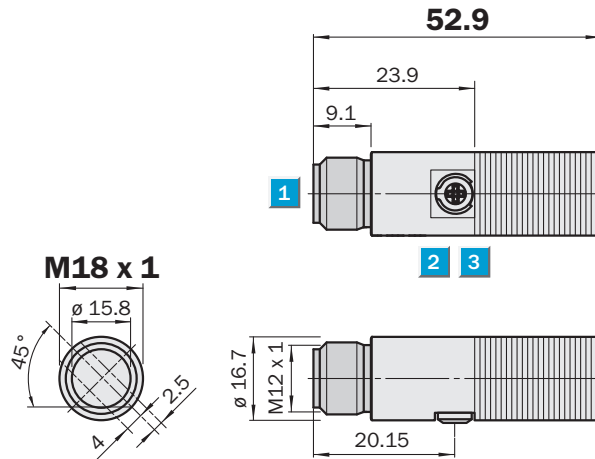
Type	Order no.
MHTB15-N3267V	1047159
MHTB15-N3367V	1046536
MHTB15-P3267V	1047160
MHTB15-P3367V	1046537


**Scanning distance**  
 10 ... 350 mm

Photoelectric proximity sensors

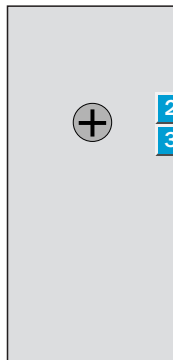
- 100% stainless steel housing 316L
- Enclosure rating IP 69K, IP 67
- Very short housing
- Adjustable sensitivity

**Dimensional drawing**



**Adjustments possible**

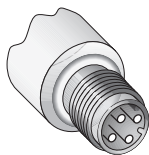
All types



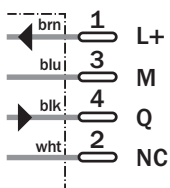
- 1 M12 plug, 4-pin
- 2 Sensitivity control 270°
- 3 Yellow LED indicator,
  - lights continuously:
    - Light reception, reserve factor > 1.3
  - blinks:
    - Light reception, reserve factor > 1.0 ... < 1.3

**Connection type**

- MHT15-P3247V
- MHT15-P3347V
- MHT15-N3247V
- MHT15-N3347V



4-pin, M12



IP 69K according to DIN 40050

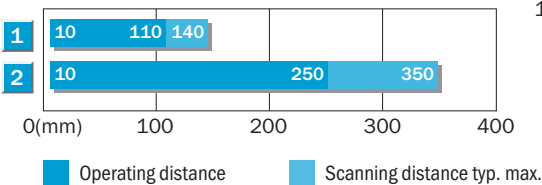
**Stainless Steel**

Accessories
Cables and connectors
Mounting systems

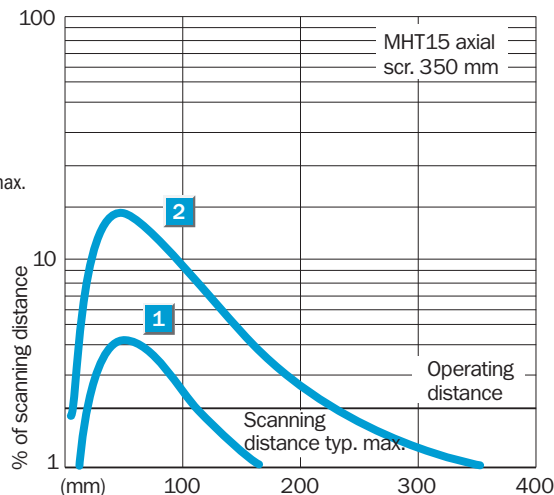
Technical data		MHT15-	P3247V	P3347V	N3247V	N3347V						
<b>Scanning distance SD</b> , typ. max. <sup>1)</sup>	10 ... 350 mm											
<b>Operating distance SD</b> <sup>1)</sup>	10 ... 250 mm											
Light spot diameter	Approx. 50 mm at 350 mm											
Angle of dispersion sender	Approx. 4.5°											
<b>Light source</b> <sup>2)</sup> , <b>light type</b>	LED infrared, 950 nm											
<b>Optical axis</b>	Axial											
<b>Sensitivity adjustable</b>	Potentiometer 270°											
<b>Light reception indicator</b>	Yellow LED: lights continuously: Reserve factor > 1.3 Blinks: reserve factor > 1.0 ... < 1.3											
<b>Supply voltage V<sub>s</sub></b>	10 ... 30 V DC <sup>3)</sup>											
Residual ripple <sup>4)</sup>	≥ 5 V <sub>pp</sub>											
Current consumption <sup>5)</sup>	≤ 30 mA											
<b>Switching outputs</b>	Q: PNP Q: NPN											
Signal voltage HIGH	V <sub>s</sub> - 2.9 V V <sub>s</sub>											
Signal voltage LOW	Approx. 0 V ≤ 2.9 V											
<b>Switching mode</b>	Light-switching Dark-switching											
<b>Output current I<sub>A</sub> max.</b>	≤ 100 mA											
Response time <sup>6)</sup>	≤ 1.25 ms											
Max. switching frequency <sup>7)</sup>	400/s											
<b>Connection type</b> <sup>8)</sup>	Plug M12, 4-pin											
<b>VDE protection class</b>	⊕											
<b>Enclosure rating</b>	IP 67, IP 69K acc. to DIN 40050											
<b>Certificates</b> <sup>9)</sup>	ECOLAB, JohnsonDiversey											
<b>Circuit protection</b> <sup>10)</sup>	A, B, C											
<b>Ambient temperature T<sub>A</sub></b>	Operation -25 °C ... +55 °C Storage -25 °C ... +70 °C											
<b>Weight</b>	with plug Approx. 50 g											
<b>Housing material</b>	Housing: 100 % stainless steel 1.4404 Optic: PMMA 3 mm, surface hardened and tempered											

1) Object with 90% remission (based on standard white DIN 5033); 100 x 100 mm  
 2) Average service life 100,000 h at T<sub>A</sub> = +25 °C  
 3) Limit values  
 4) May not exceed or fall short of V<sub>s</sub> tolerances  
 5) Without load  
 6) Signal transit time with resistive load  
 7) With light/dark ratio 1:1  
 8) Gold-plated contact pins  
 9) Refer to the corresponding certificates for details  
 10) A = V<sub>s</sub> connections reverse-polarity protected  
 B = Interference pulse suppression  
 C = Outputs overcurrent and short-circuit protected

**Scanning distance**




- 1 Scanning distance on grey, 18 % remission
- 2 Scanning distance on white, 90 % remission



**Order information**

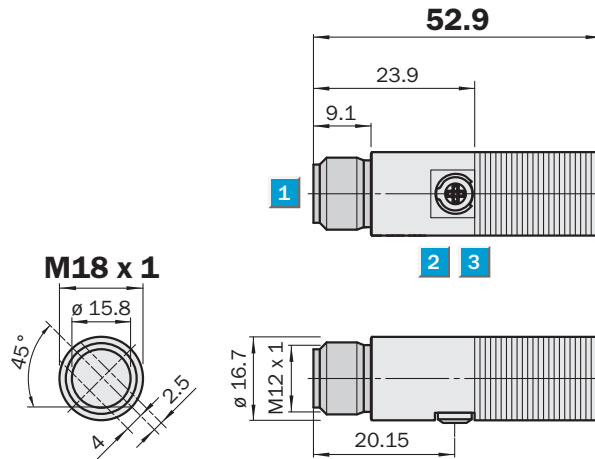
Type	Order no.
MHT15-P3247V	1043810
MHT15-P3347V	1043811
MHT15-N3247V	1043808
MHT15-N3347V	1043809


**Scanning distance**  
 10 ... 100 mm

Photoelectric proximity sensors

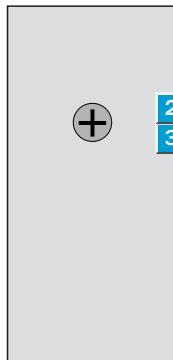
- 100% stainless steel housing 316L
- Enclosure rating IP 69K, IP 67
- Very short housing
- Sensitivity adjustable

**Dimensional drawing**



**Adjustments possible**

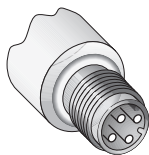
All types



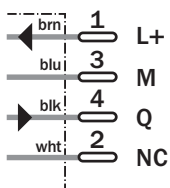
- 1** M12 plug, 4-pin
- 2** Sensitivity control 270°
- 3** Yellow LED indicator,
  - lights continuously: Light reception, reserve factor > 1.3
  - blinks: Light reception, reserve factor > 1.0 ... < 1.3

**Connection type**

- MHT15-P3217V
- MHT15-P3317V
- MHT15-N3217V
- MHT15-N3317V



4-pin, M12



IP 69K according to DIN 40050

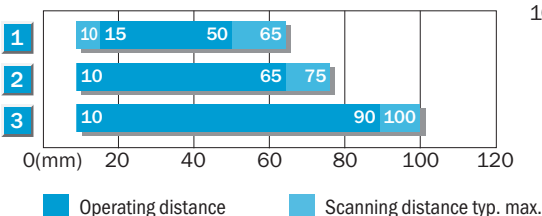
**Stainless Steel**

Accessories
Cables and connectors
Mounting systems
Reflectors

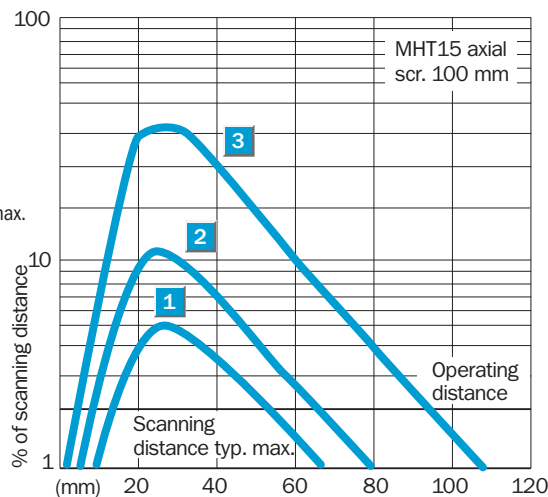
Technical data		MHT15-	P3217V	P3317V	N3217V	N3317V						
<b>Scanning distance SD</b> , typ. max. <sup>1)</sup>	10 ... 100 mm											
<b>Operating distance SD</b> <sup>1)</sup>	10 ... 90 mm											
Light spot diameter	Approx. 20 mm at 100 mm											
Angle of dispersion sender	Approx. 4.5°											
<b>Light source</b> <sup>2)</sup> , <b>light type</b>	LED infrared, 950 nm											
<b>Optical axis</b>	Axial											
<b>Sensitivity adjustable</b>	Potentiometer 270°											
<b>Light reception indicator</b>	Yellow LED: lights continuously: Reserve factor > 1.3 Blinks: reserve factor > 1.0 ... < 1.3											
<b>Supply voltage V<sub>s</sub></b>	10 ... 30 V DC <sup>3)</sup>											
Residual ripple <sup>4)</sup>	≤ 5 V <sub>pp</sub>											
Current consumption <sup>5)</sup>	≤ 30 mA											
<b>Switching outputs</b>	Q: PNP Q: NPN											
Signal voltage HIGH	V <sub>s</sub> - 2.9 V V <sub>s</sub>											
Signal voltage LOW	Approx. 0 V ≤ 2.9 V											
<b>Switching mode</b>	Light-switching Dark-switching											
<b>Output current I<sub>A</sub> max.</b>	≤ 100 mA											
Response time <sup>6)</sup>	≤ 1.25 ms											
Max. switching frequency <sup>7)</sup>	400/s											
<b>Connection type</b> <sup>8)</sup>	Plug M12, 4-pin											
<b>VDE protection clas</b>	◊											
<b>Enclosure rating</b>	IP 67, IP 69K acc. to DIN 40050											
<b>Certificates</b> <sup>9)</sup>	ECOLAB, JohnsonDiversey											
<b>Circuit protection</b> <sup>10)</sup>	A, B, C											
<b>Ambient temperature T<sub>A</sub></b>	Operation -25 °C ... +55 °C Storage -25 °C ... +70 °C											
<b>Weight</b>	with plug Approx. 50 g											
<b>Housing material</b>	Housing: 100% stainless steel 1.4404 Optic: PMMA 3 mm, surface hardened and tempered											

- <sup>1)</sup> Object with 90% remission (based on standard white DIN 5033); 100 x 100 mm
- <sup>2)</sup> Average service life 100,000 h at T<sub>A</sub> = +25 °C
- <sup>3)</sup> Limit values
- <sup>4)</sup> May not exceed or fall short of V<sub>s</sub> tolerances
- <sup>5)</sup> Without load
- <sup>6)</sup> Signal transit time with resistive load
- <sup>7)</sup> With light/dark ratio 1:1
- <sup>8)</sup> Gold-plated contact pins
- <sup>9)</sup> Refer to the corresponding certificates for details
- <sup>10)</sup> A = V<sub>s</sub> connections reverse-polarity protected  
B = Interference pulse suppression  
C = Outputs overcurrent and short-circuit protected

**Scanning distance**



- 1** Scanning distance on black, 6 % remission
- 2** Scanning distance on grey, 18 % remission
- 3** Scanning distance on white, 90 % remission



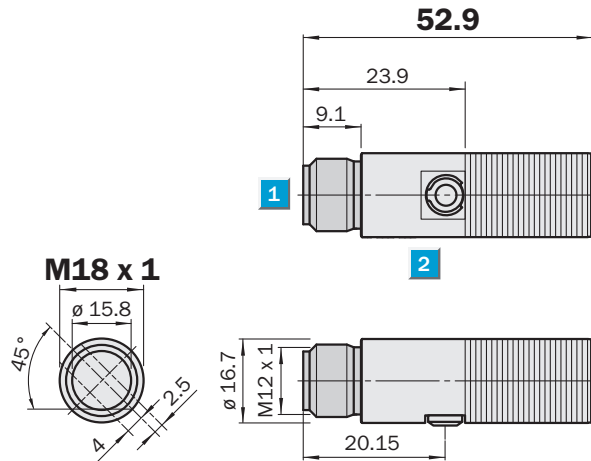
**Order information**

Type	Order no.
MHT15-P3217V	1043805
MHT15-P3317V	1043806
MHT15-N3217V	1043803
MHT15-N3317V	1043804

	Scanning range
	0.035 ... 5.0 m (PL80A)
Photoelectric reflex sensors	

- 100% stainless steel housing 316L
- Enclosure rating IP 69K, IP 67
- Very short housing
- Polarizing filter for reliable detection of shiny surfaces

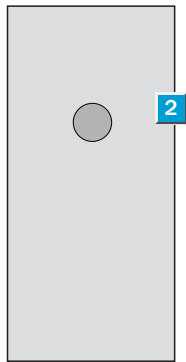
Dimensional drawing



Adjustments possible

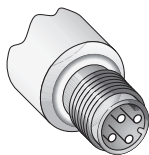
All types

- 1 M12 plug, 4-pin
- 2 Yellow LED indicator,
  - lights continuously: Light reception, reserve factor > 1.5
  - blinks: Light reception, reserve factor > 1.0 ... < 1.5

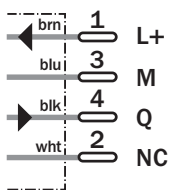


Connection type

- MHL15-P3236V
- MHL15-P3336V
- MHL15-N3236V
- MHL15-N3336V



4-pin, M12



IP 69K according to DIN 40050

Stainless Steel

<b>Accessories</b>
Cables and connectors
Mounting systems
Reflectors



Technical data		MHL15-	P3236V	P3336V	N3236V	N3336V							
<b>Scanning range SR</b> , typ. max./reflect.	0.035 ... 5.0 m (PL80A)												
<b>Operating range</b>	0.035 ... 3.5 m (PL80A)												
Light spot diameter	Approx. 80 mm at 3.5 m												
Angle of dispersion sender	Approx. 1.5°												
<b>Optical axis</b>	Axial												
<b>Light source <sup>1)</sup>, light type</b>	LED, red light, with pol. filter, 650 nm												
<b>Light reception indicator</b>	Yellow LED: lights continuously: Reserve factor > 1.5 Blinks: reserve factor > 1.0 ... < 1.5												
<b>Supply voltage V<sub>s</sub></b>	10 ... 30 V DC <sup>2)</sup>												
Residual ripple <sup>3)</sup>	≤ 5 V <sub>pp</sub>												
Current consumption <sup>4)</sup>	≤ 30 mA												
<b>Switching outputs</b>	Q: PNP Q: NPN												
Signal voltage HIGH	V <sub>s</sub> - 2.9 V V <sub>s</sub>												
Signal voltage LOW	Approx. 0 V ≤ 2.9 V												
<b>Switching mode</b>	Light-switching Dark-switching												
<b>Output current I<sub>A</sub> max.</b>	≤ 100 mA												
Response time <sup>5)</sup>	≤ 1.25 ms												
Max. switching frequency <sup>6)</sup>	400/s												
<b>Connection type <sup>7)</sup></b>	Plug M12, 4-pin												
<b>VDE protection class</b>	⊠												
<b>Enclosure rating</b>	IP 67, IP 69K acc. to DIN 40050												
<b>Certificates <sup>8)</sup></b>	ECOLAB, JohnsonDiversey												
<b>Circuit protection <sup>9)</sup></b>	A, B, C												
<b>Ambient temperature T<sub>A</sub></b>	Operation -25 °C ... +55 °C Storage -25 °C ... +70 °C												
<b>Weight</b>	with plug Approx. 50 g												
<b>Housing material</b>	Housing: 100% stainless steel 1.4404 Optic: PMMA 3 mm, surface hardened and tempered												

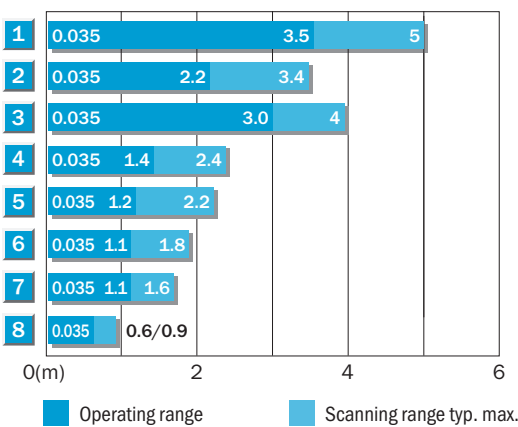
<sup>1)</sup> Average service life 100,000 h at T<sub>A</sub> = +25 °C  
<sup>2)</sup> Limit values

<sup>3)</sup> May not exceed or fall short of V<sub>s</sub> tolerances  
<sup>4)</sup> Without load  
<sup>5)</sup> Signal transit time with resistive load

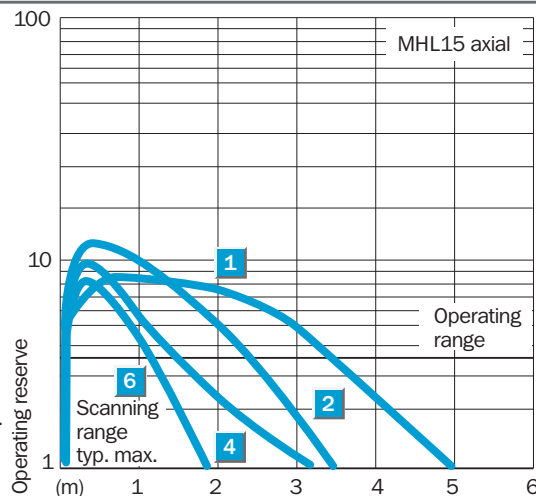
<sup>6)</sup> With light/dark ratio 1:1  
<sup>7)</sup> Gold-plated contact pins  
<sup>8)</sup> Refer to the corresponding certificates for details

<sup>9)</sup> A = V<sub>s</sub> connections reverse-polarity protected  
B = Interference pulse suppression  
C = Outputs overcurrent and short-circuit protected

**Scanning range and operating reserve**



Reflector type	Operating range
1	PL80A 0.035 ... 3.5 m
2	P250 0.035 ... 2.2 m
3	C110 0.035 ... 3.0 m
4	PL50A/PL40A 0.035 ... 1.4 m
5	PL30A/PL31A 0.035 ... 1.2 m
6	PL20A 0.035 ... 1.1 m
7	P250CHEM 0.035 ... 1.1 m
8	PL20CHEM 0.035 ... 0.6 m



**Order information**

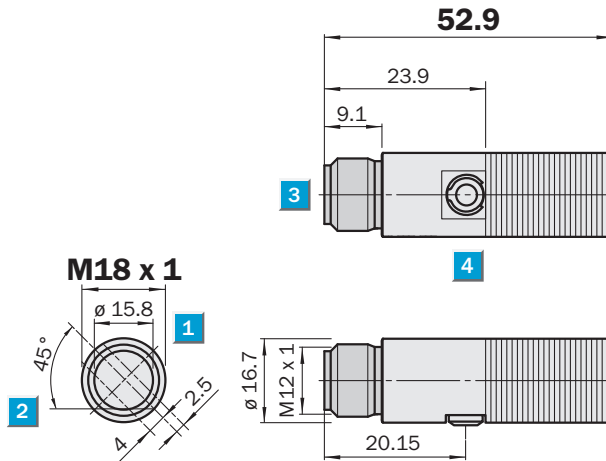
Type	Order no.
MHL15-P3236V	1043814
MHL15-P3336V	1043815
MHL15-N3236V	1043812
MHL15-N3336V	1043813

**Scanning range**  
0 ... 5.0 m

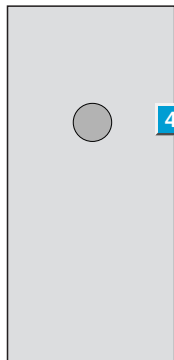
Through-beam photoelectric sensors

- 100% stainless steel housing 316L
- Enclosure rating IP 69K, IP 67
- Very short housing

**Dimensional drawing**



**Adjustments possible**  
All types

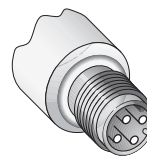


- 1 Sender axis
- 2 Receiver axis
- 3 M12 plug, 4-pin
- 4 Yellow LED indicator (only receiver MHE15V)  
- lights continuously:  
Light reception, Reserve factor > 1



**Connection type**

- MHSE15-N3236V
- MHSE15-N3336V
- MHSE15-P3236V
- MHSE15-P3336V

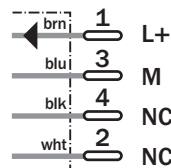


IP 69K according to DIN 40050

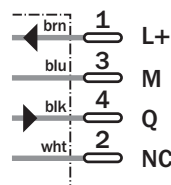
**Stainless Steel**

<b>Accessories</b>
Cables and connectors
Mounting systems

**Sender MHS15** 4-pin, M12



**Receiver MHE15** 4-pin, M12



Technical data		MHSE15-	P3236V	P3336V	N3236V	N3336V						
Scanning range SR, typ. max./reflect.	0 ... 5.0 m											
Betriebsreichweite	0 ... 3.8 m											
Light spot diameter	Approx. 65 mm at 4.0 m											
Angle of dispersion sender	Approx. 1.5°											
Optical axis	Axial											
Light source <sup>1)</sup> , light type	LED, red light, 650 nm											
Light reception indicator Only MHE15V:	Yellow LED: lights continuously: Light reception > switching threshold 1											
Supply voltage V <sub>s</sub>	10 ... 30 V DC <sup>2)</sup>											
Residual ripple <sup>3)</sup>	≤ 5 V <sub>pp</sub>											
Current consumption <sup>4)</sup>	≤ 30 mA											
Switching outputs	Q: PNP Q: NPN											
Signal voltage HIGH	V <sub>s</sub> - 2.9 V V <sub>s</sub>											
Signal voltage LOW	Approx. 0 V ≤ 2.9 V											
Switching mode	Light-switching Dark-switching											
Output current I <sub>A</sub> max.	≤ 100 mA											
Response time <sup>5)</sup>	≤ 1.4 ms											
Max. switching frequency <sup>6)</sup>	350/s											
Connection type <sup>7)</sup>	Plug M12, 4-pin											
VDE protection class	⊠											
Enclosure rating	IP 67, IP 69K acc. to DIN 40050											
Certificates <sup>8)</sup>	ECOLAB, JohnsonDiversey											
Circuit protection <sup>9)</sup>	A, B, C											
Ambient temperature T <sub>A</sub>	Operation -25 °C ... +55 °C Storage -25 °C ... +70 °C											
Weight	with plug Sender/receiver each approx. 50 g											
Housing material	Housing: 100 % stainless steel 1.4404 Optic: PMMA 3 mm, surface hardened and tempered											

<sup>1)</sup> Average service life 100,000 h at T<sub>A</sub> = +25 °C

<sup>2)</sup> Limit values

<sup>3)</sup> May not exceed or fall short of V<sub>s</sub> tolerances

<sup>4)</sup> Without load

<sup>5)</sup> Signal transit time with resistive load

<sup>6)</sup> With light/dark ratio 1:1

<sup>7)</sup> Gold-plated contact pins

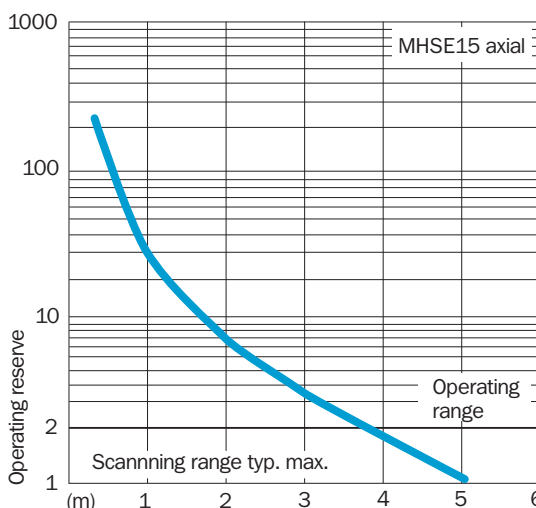
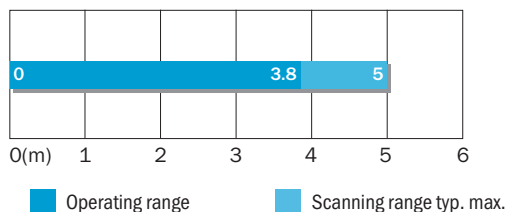
<sup>8)</sup> Refer to the corresponding certificates for details

<sup>9)</sup> A = V<sub>s</sub> connections reverse-polarity protected

B = Interference pulse suppression

C = Outputs overcurrent and short-circuit protected

Operating range and operating reserve



Order information

Typ <sup>11)</sup>	Order no. <sup>11)</sup>
MHSE15-P3236V	1043818
MHSE15-P3336V	1043819
MHSE15-N3236V	1043816
MHSE15-N3336V	1043817

<sup>11)</sup> Order no. includes sender and receiver (pair)

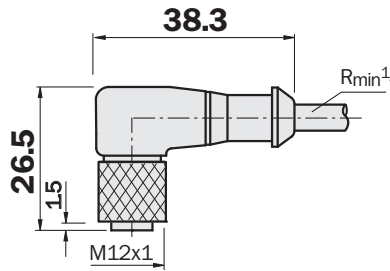
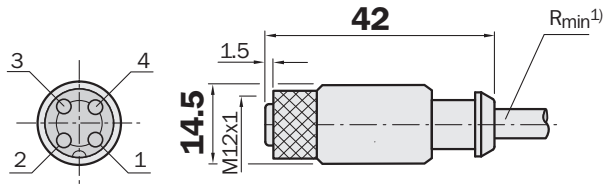
**Extension cable**  
**„Food & Beverage“**

Round connectors

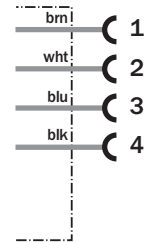
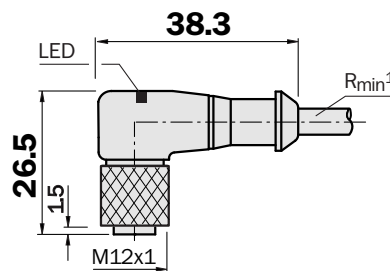
- Especially suitable for use in the “Food & Beverage” branch
- Gold plated pins
- Improved resistance to chemicals, acids and cleaning agents
- Enclosure rating IP 69K (only in fully locked position with its plugs)
- Stainless steel locking nut (V4A)

**Dimensional drawings**

DOL-12...



DOL-1204-L...



Contacts	Wire colour
1	brown
2	white
3	blue
4	black

1) Minimum bend radius in dynamic use  
 $R_{min} = 20 \times \text{cable diameter}$



## Technical data

<b>Operating voltage U<sub>b</sub></b>	250 V AC/300 V DC (M12, 4-pin, connector)
	10 ... 30 V DC (M12, LED indicator)
<b>Contact resistance</b>	≤ 5 mΩ
<b>Nominal power</b>	4 A (CSA = 3 A)
<b>Test voltage</b>	2.0 kV eff./60 s. (4-pin)
<b>Insulation group</b>	C acc. VDE 0110
<b>Insulation resistance</b>	> 10 <sup>9</sup> Ω
<b>Temperature range</b>	In fixed position        -25 °C ... +90 °C
	In flexible position      +5 °C ... +90 °C
<b>Bend radius</b>	> 10 x diameter of cable
<b>Contact</b>	CuZn, 0.3 μm gold plated
<b>Locking nut</b>	Stainless steel V4A
<b>Cable</b>	PVC, colour orange
<b>Conductor diameter</b>	4 x 0.25 mm <sup>2</sup>
<b>Connector</b>	PVC, colour orange
<b>Enclosure rating</b>	IP 69K (only when in fully screwed-in position with corresponding counterparts. Breakaway torque 0.7 Nm)

## Order information

## Round connectors M12 Connecting cable "Food &amp; Beverage"

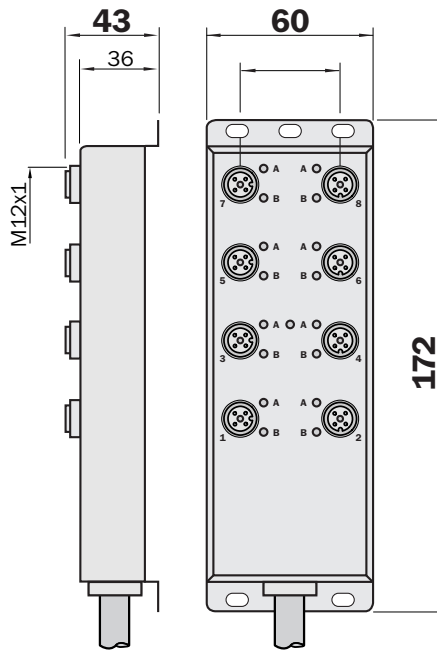
Type	Order no.	Description	Contacts	Cable length [m]
DOL-1204-G02MN	6028128	Female connector    straight	4	2
DOL-1204-G05MN	6028130	Female connector    straight	4	5
DOL-1204-G10MN	6028132	Female connector    straight	4	10
DOL-1204-G25MN	6028134	Female connector    straight	4	25
DOL-1204-W02MN	6028129	Female connector    angled	4	2
DOL-1204-W05MN	6028131	Female connector    angled	4	5
DOL-1204-W10MN	6028133	Female connector    angled	4	10
DOL-1204-W25MN	6028135	Female connector    angled	4	25
DOL-1204-L02MN	6028136	Female connector    angled LED (PNP)	4	2
DOL-1204-L05MN	6028137	Female connector    angled LED (PNP)	4	5
DOL-1204-L10MN	6028138	Female connector    angled LED (PNP)	4	10
DOL-1204-L25MN	6028139	Female connector    angled LED (PNP)	4	25

**„Food & Beverage“  
IP 69K, V4A**

Sensor splitter-box

- Enclosure rating IP 69K (only in fully locked position with its plugs or dust covers)
- Housing & thread material stainless steel V4A
- Especially suitable for use in the “Food & Beverage” branch
- Improved resistance to chemicals, acids and cleaning agents

SNL-08...



M12 contacts	Wire colour	Signal/outlet
1	brown	+
3	blue	-
2	grey/pink	1
	red/blue	2
	white/green	3
	brown/green	4
	white/yellow	5
	yellow/brown	6
	white/grey	7
	grey/brown	8
4	white	1
	green	2
	yellow	3
	grey	4
	pink	5
	red	6
	black	7
	violet	8
5	green yellow	PE

**Technical data**

<b>Temperature range</b>	0 °C ... +60 °C
<b>Materials</b>	
Housing	V4A stainless steel
Moulded body	PVC
Contact	CuZn, pre-nickel and 0.8 µm gold plated
Threaded sleeve	V4A stainless steel
O-Ring	EPDM
<b>Mechanical data</b>	
Enclosure rating	IP 69K (only in fully locked position with its plugs, breakaway torque 0.5 Nm)
<b>Electrical data</b>	
Contact resistance	≤ 5 mΩ
Nominal power	4 A via outlet/11 A max. total at 30 °C (refer to correction factors EN 60204-1)
Nominal voltage $U_b$	10 ... 30 V DC
Reference voltage	32 V ~ eff.
Insulation resistance	> 10 <sup>9</sup> Ω
Pollution grade	2 acc. VDE 0110
Cable	PVC, colour black, 3 x 1.0 mm <sup>2</sup> /16 x 0.5 mm <sup>2</sup> (appropriate for drag cable use)
<b>Accessories</b>	4 dust covers for unused sockets

**Order information**

**Sensor splitter-box "Food & Beverage", IP 69K, V4A (1.4404/316 L), M12 x 1 mm (5-pin), 8 female connector, connection types cable**

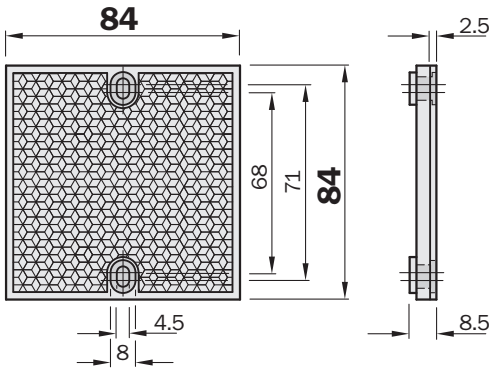
Type	Order no.	Connecting cable		
		Length [m]	Lead [mm <sup>2</sup> ]	Cable
SNL-08D12-KA05	6027586	5	3 x 1.0/16 x 0.5	PVC black
SNL-08D12-KA10	6027587	10	3 x 1.0/16 x 0.5	PVC black
SNL-08D12-KA15	6027588	15	3 x 1.0/16 x 0.5	PVC black

## Dimensional drawings and order information

### Reflectors for MHL15V plastic design, angular for temperatures up to 65 °C

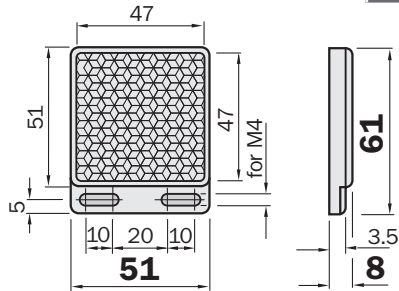
#### Reflector 80 x 80 mm

Type	Order no.
PL80A	1003865



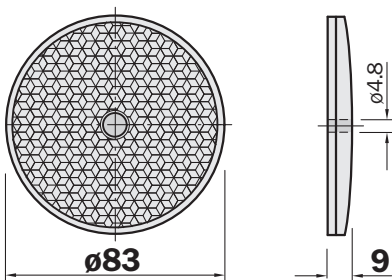
#### Reflector 47 x 47 mm

Type	Order no.	Applications
P250	5304812	Standard
P250H	5315124	Heat-resistant to +110 °C
P250CHEM	5321097	Increased chemical durability, -20 °C ... +80 °C



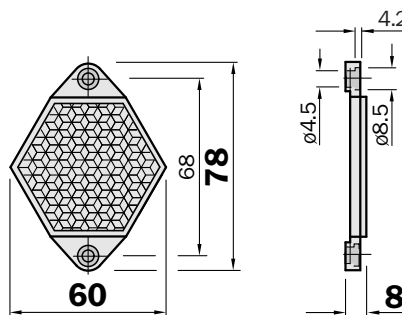
#### Reflector, Ø 83 mm, centre hole mounting

Type	Order no.
C110A	5304549



#### Reflector, 6-sided, width across flats 48 mm

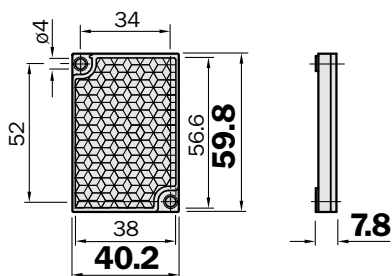
Type	Order no.
PL50A	1000132



Also available in heatable model:  
Continuous heating: PL50HK,  
Order no. 1001545  
Regulated heating: PL50HS,  
Order no. 1009871

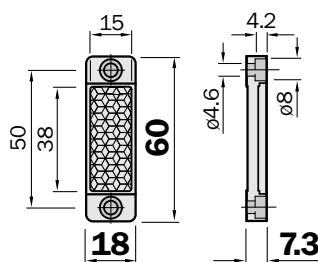
#### Reflector 38 x 56 mm

Type	Order no.
PL40A	1012720



#### Reflector 20 x 40 mm

Type	Order no.	Applications
PL20A	1012719	Standard
PL20CHEM	5321089	Increased chemical durability, -20 °C ... +80 °C



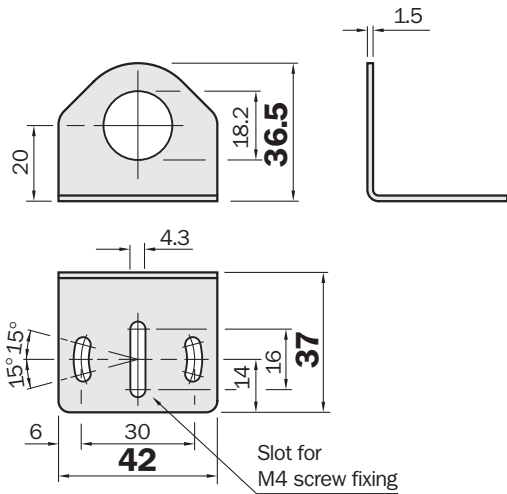


Dimensional drawings and order information

Mounting systems

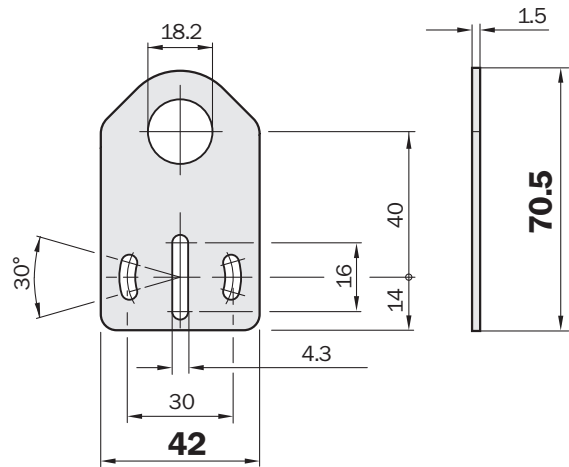
Mounting bracket, material stainless steel 1.4404

Type	Order no.
BEF-WN-M18N	5320947



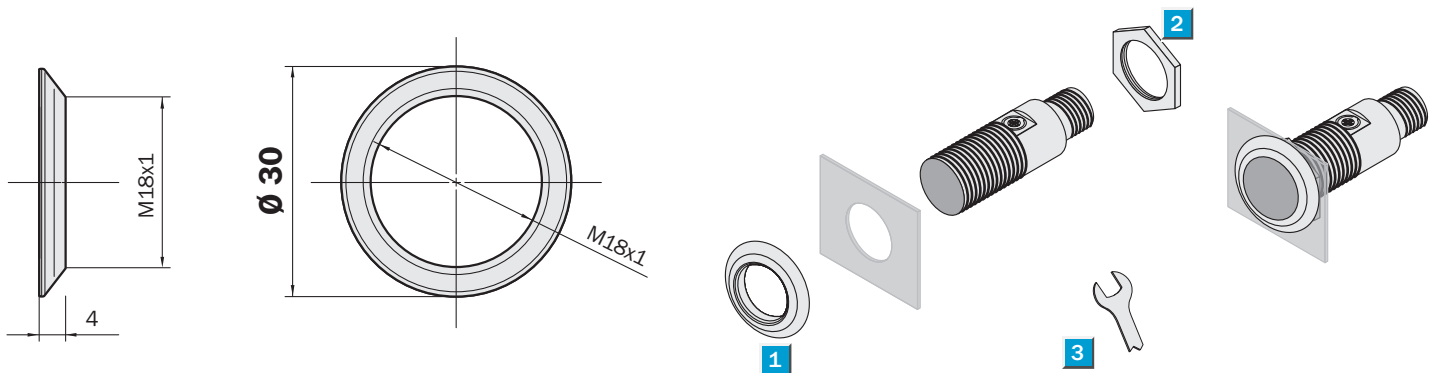
Mounting bracket, material stainless steel 1.4404

Type	Order no.
BEF-WG-M18N	5320948



Mounting ring for MH15V, material stainless steel 1.4404

Type	Order no.
BEF-WN-MH15-2V	4053358



- 1 Mounting ring BEF-WN-MH15-2V (4053358) for flush mounting
- 2 2 x M18x1/V4A (4053361) nuts provided with the MH15V scope of supply
- 3 Max. breakaway torque 15 Nm

**Australia**

Phone +61 3 9497 4100  
1800 33 48 02 – tollfree  
E-Mail sales@sick.com.au

**Belgium/Luxembourg**

Phone +32 (0)2 466 55 66  
E-Mail info@sick.be

**Brasil**

Phone +55 11 3215-4900  
E-Mail sac@sick.com.br

**Ceská Republika**

Phone +420 2 57 91 18 50  
E-Mail sick@sick.cz

**China**

Phone +852-2763 6966  
E-Mail ghk@sick.com.hk

**Danmark**

Phone +45 45 82 64 00  
E-Mail sick@sick.dk

**Deutschland**

Phone +49 211 5301-250  
E-Mail info@sick.de

**España**

Phone +34 93 480 31 00  
E-Mail info@sick.es

**France**

Phone +33 1 64 62 35 00  
E-Mail info@sick.fr

**Great Britain**

Phone +44 (0)1727 831121  
E-Mail info@sick.co.uk

**India**

Phone +91-22-4033 8333  
E-Mail info@sick-india.com

**Israel**

Phone +972-4-999-0590  
E-Mail info@sick-sensors.com

**Italia**

Phone +39 02 27 43 41  
E-Mail info@sick.it

**Japan**

Phone +81 (0)3 3358 1341  
E-Mail support@sick.jp

**Nederlands**

Phone +31 (0)30 229 25 44  
E-Mail info@sick.nl

**Norge**

Phone +47 67 81 50 00  
E-Mail austefjord@sick.no

**Österreich**

Phone +43 (0)22 36 62 28 8-0  
E-Mail office@sick.at

**Polska**

Phone +48 22 837 40 50  
E-Mail info@sick.pl

**Republic of Korea**

Phone +82-2 786 6321/4  
E-Mail kang@sickkorea.net

**Republika Slovenija**

Phone +386 (0)1-47 69 990  
E-Mail office@sick.si

**România**

Phone +40 356 171 120  
E-Mail office@sick.ro

**Russia**

Phone +7 495 775 05 34  
E-Mail info@sick-automation.ru

**Schweiz**

Phone +41 41 619 29 39  
E-Mail contact@sick.ch

**Singapore**

Phone +65 6744 3732  
E-Mail admin@sicksgp.com.sg

**Suomi**

Phone +358-9-25 15 800  
E-Mail sick@sick.fi

**Sverige**

Phone +46 10 110 10 00  
E-Mail info@sick.se

**Taiwan**

Phone +886 2 2375-6288  
E-Mail sales@sick.com.tw

**Türkiye**

Phone +90 216 587 74 00  
E-Mail info@sick.com.tr

**United Arab Emirates**

Phone +971 4 8865 878  
E-Mail info@sick.ae

**USA/Canada/México**

Phone +1(952) 941-6780  
1 800-325-7425 – tollfree  
E-Mail info@sickusa.com

More representatives and agencies  
in all major industrial nations at  
[www.sick.com](http://www.sick.com)