

# W 280: Powerful sensors for standard applications

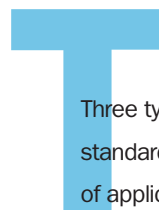


Among the three types of units, there is a choice of DC voltage or universal voltage. All units feature visible red light, for better alignment.

The solution: a package of components consisting of photoelectric switch + mounting bracket + reflector (WL 280 only) is ideal for standard applications and provides added convenience at the installation site.

Clever detail and standards-compliant construction:

- For the cable versions (DC and UC), the sensor component can be fully detached from the read housing with the cable in the rear housing remaining unchanged. The advantage being both easy initial assembly and replacement.
- The universal voltage versions of W 280 meet the requirements of EN 61000-6-3 (Generic emission standard: “Residential and Commercial Areas”). Therefore, the W 280 is particularly suitable for residential and commercial door/gate control.



Three types of units cover the standard uses in the main fields of application, such as door and gate control as well as storage and conveying technology:

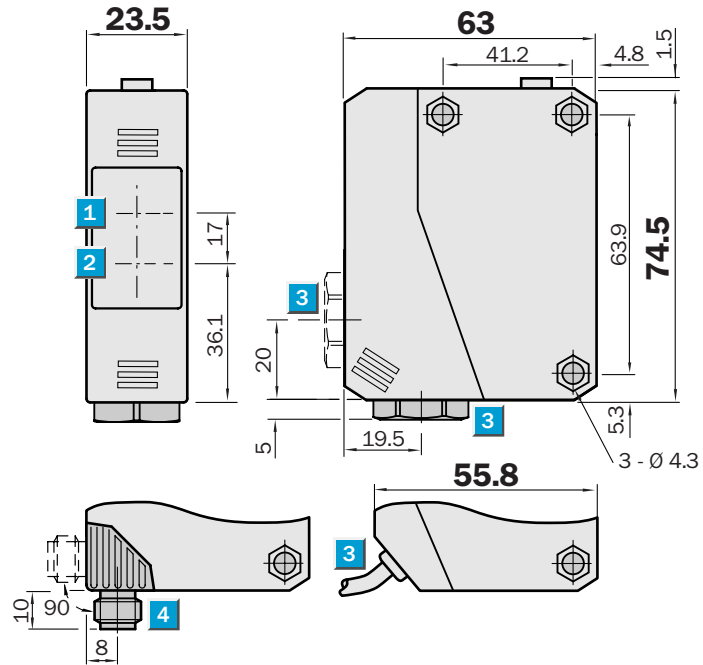
- WT 280 energetic proximity switch, scanning distance 100 ... 1500 mm,
- WL 280 photoelectric reflex switch, scanning range max. 0.1 ... 14 m/PL 80 A with polarisation filter,
- WS/WE 280 through-beam photoelectric switch, scanning range 0 ... 35 m.

	<b>Photoelectric proximity switches, energetic</b>
	<b>Photoelectric reflex switches</b>
	<b>Through-beam photoelectric switches</b>

**Scanning distance**  
**10 ... 1700 mm**  
 Photoelectric proximity switches

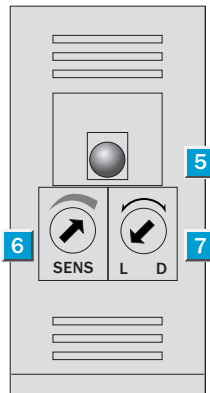
- Red light
- Terminal chamber or cable connection
- M12 plug rotatable by 90°
- Mounting brackets (1.4301) included with delivery

**Dimensional drawing**



**Adjustments possible**

All types

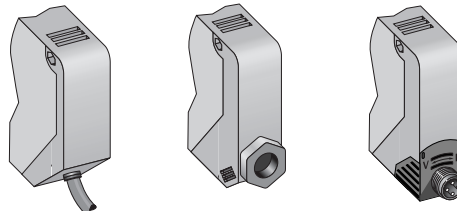


- 1 Centre of optical axis – receiver
- 2 Centre of optical axis – sender
- 3 Cable entry gland 1/2" PF for cable diameter 6 to 10 mm or 3-core cable Ø 3.8 mm
- 4 Plug M12, 4-pin, rotatable by 90°
- 5 Signal strength indicator
- 6 Sensitivity adjustment
- 7 Light/dark rotary switch  
L = light-switching, D = dark-switching



**Connection type**

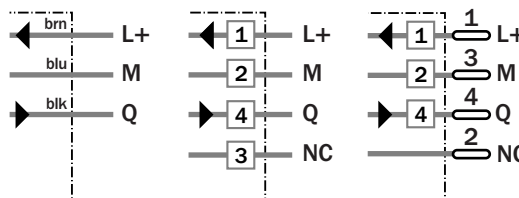
WT280-P132	WT280-P230	WT280-P430
WT280-N132	WT280-N230	WT280-N430



3 x 0.18 mm<sup>2</sup>

Terminals

4-pin, M12



**Accessories**

Cables and connectors
Mounting systems *)

\*) Mounting brackets included with delivery

<b>Technical data</b>	WT 280-	P 132	P 230	P 430	N 132	N 230	N 430				
-----------------------	---------	-------	-------	-------	-------	-------	-------	--	--	--	--

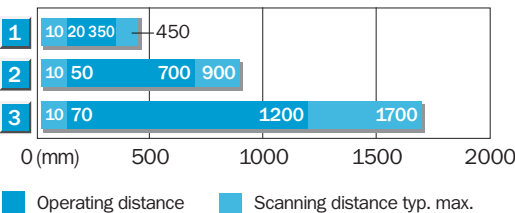
<b>Scanning distance, max. typ.</b>	10 mm ... 1700 mm, adjustable <sup>1)</sup>										
<b>Operating distance</b>	10 mm ... 1200 mm, adjustable <sup>1)</sup>										
<b>Light source <sup>2)</sup>, light type</b>	LED, red light										
Light spot diameter	Approx. 38 mm at 1.3 m										
Angle of dispersion, sender	Approx. 1°										
<b>Supply voltage V<sub>S</sub></b>	10 ... 30 V DC <sup>3)</sup>										
Residual ripple <sup>4)</sup>	≤ 5 V <sub>PP</sub>										
Current consumption <sup>5)</sup>	≤ 30 mA										
<b>Switching outputs</b>	PNP, open collector: Q										
	NPN, open collector: Q										
Output current I <sub>A</sub> max.	100 mA										
Light receiver, switching mode	Light-/dark-switching by rotary switch										
Response time <sup>6)</sup>	≤ 0.5 ms										
Max. switching frequency <sup>7)</sup>	1000/s										
<b>Connection types</b>	Cable <sup>8)</sup> , 2 m										
	Terminal chamber										
	M12 plug, 4-pin										
<b>VDE protection class</b>	⊕ (to VDE 0106)										
<b>Circuit protection <sup>9)</sup></b>	A, B, C, D										
<b>Enclosure rating</b>	IP 66										
<b>Ambient temperature</b>	Operation -25 °C ... +55 °C										
	Storage -40 °C ... +70 °C										
<b>Weight</b>	Approx. 150 g										
<b>Housing material</b>	Housing: ABS; optics: PMMA										

- 1) Object with 90 % remission (based on standard white DIN 5033)
- 2) Average service life 100,000 h at T<sub>A</sub> = +25 °C
- 3) Limit values

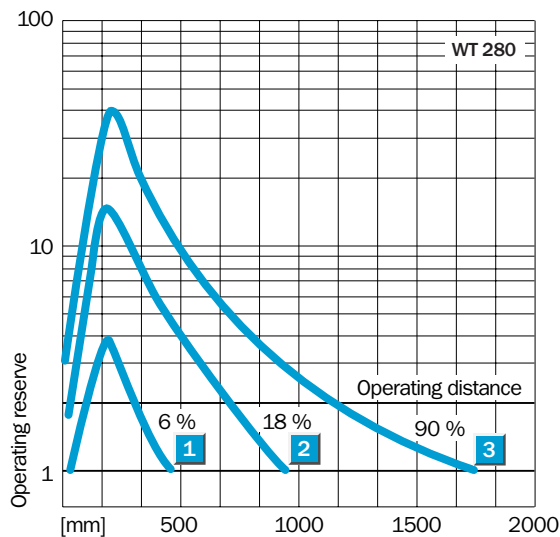
- 4) May not exceed or fall short of V<sub>S</sub> tolerances
- 5) Without load
- 6) Signal transit time with resistive load
- 7) With light/dark ratio 1:1
- 8) Do not bend below 0 °C

- 9) A = V<sub>S</sub> connections reverse-polarity protected
- B = Inputs/outputs reverse-polarity protected
- C = Interference pulse suppression
- D = Outputs overcurrent and short-circuit protected

**Scanning distance**



- 1 Scanning distance on black, 6 % remission
- 2 Scanning distance on grey, 18 % remission
- 3 Scanning distance on white, 90 % remission



**Order information**

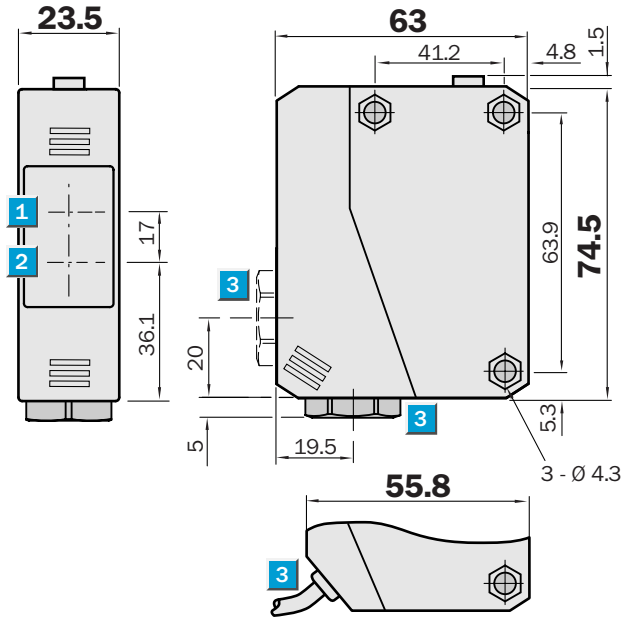
Type	Order no.
WT280-P132	6 028 278
WT280-P230	6 028 276
WT280-P430	6 028 280
WT280-N132	6 028 279
WT280-N230	6 028 277
WT280-N430	6 028 281

**Scanning distance**  
 10 ... 1700 mm  
 Photoelectric proximity switches

- Red light
- Terminal chamber or cable connection
- Mounting brackets (1.4301) included with delivery
- CE generic emission standard EN 61000-6-3 (“Residential and Commercial Areas”)



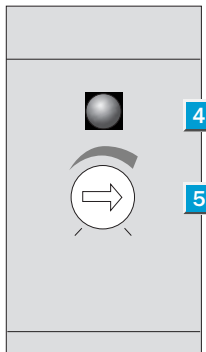
**Dimensional drawing**



**Adjustments possible**

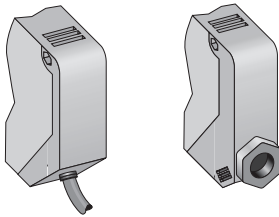
- WT280-S132
- WT280-S230

- 1 Centre of optical axis – receiver
- 2 Centre of optical axis – sender
- 3 Cable entry gland 1/2" PF for cable diameter 6 to 10 mm or 5-core cable Ø 6.3 mm
- 4 Signal strength indicator
- 5 Sensitivity adjustment



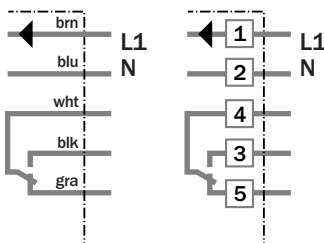
**Connection type**

- WT280-S132
- WT280-S230



5 x 0.76 mm<sup>2</sup>

Terminals



**Accessories**

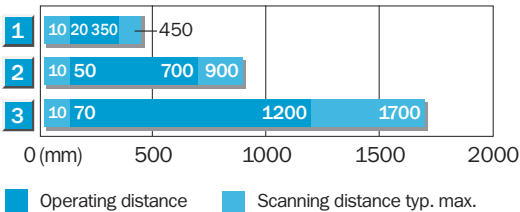
- Cables and connectors
- Mounting systems \*)

\*) Mounting brackets included with delivery

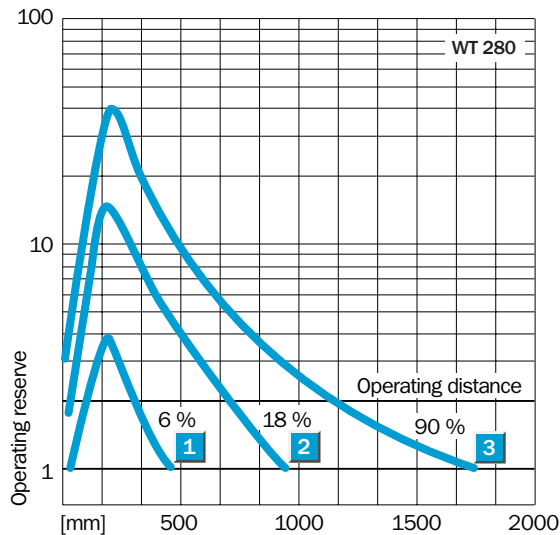
Technical data		WT 280-	S 132	S 230							
<b>Scanning distance, max. typ.</b>	10 mm ... 1700 mm, adjustable <sup>1)</sup>										
<b>Operating distance</b>	10 mm ... 1200 mm, adjustable <sup>1)</sup>										
<b>Light source <sup>2)</sup>, light type</b>	LED, red light										
Light spot diameter	Approx. 38 mm at 1.3 m										
Angle of dispersion, sender	Approx. 1°										
<b>Supply voltage <math>V_S</math> <sup>3)</sup></b>	24 ... 240 V DC/24 ... 240 V AC										
Current consumption <sup>4)</sup>	≤ 5 VA										
<b>Switching outputs</b>	Relay 1 x u, galv. separated										
Max. switching current	3 A/240 V AC; 3 A/30 V DC										
Light receiver	Light-switching										
Response time	≤ 20 ms										
Max. switching frequency <sup>5)</sup>	25/s										
<b>Connection types</b>	Cable <sup>6)</sup> , 2 m										
	Terminal chamber										
<b>VDE protection class <sup>7)</sup></b>	<input type="checkbox"/>										
<b>Circuit protection <sup>8)</sup></b>	A, C										
<b>Enclosure rating</b>	IP 66										
<b>Ambient temperature</b>	Operation -25 °C ... +55 °C										
	Storage -40 °C ... +70 °C										
<b>Weight</b>	Approx. 150 g										
<b>Housing material</b>	Housing: ABS; optics: PMMA										

- 1) Object with 90 % remission (based on standard white DIN 5033)
- 2) Average service life 100,000 h at  $T_A = +25 °C$
- 3) ± 10 %
- 4) Provide suitable spark suppression for inductive and capacitive loads
- 5) With light/dark ratio 1:1
- 6) Do not bend below 0 °C
- 7) Reference voltage 250 V UC
- 8) A =  $V_S$  connections reverse-polarity protected  
C = Interference pulse suppression

**Scanning distance**



- 1 Scanning distance on black, 6 % remission
- 2 Scanning distance on grey, 18 % remission
- 3 Scanning distance on white, 90 % remission



**Order information**

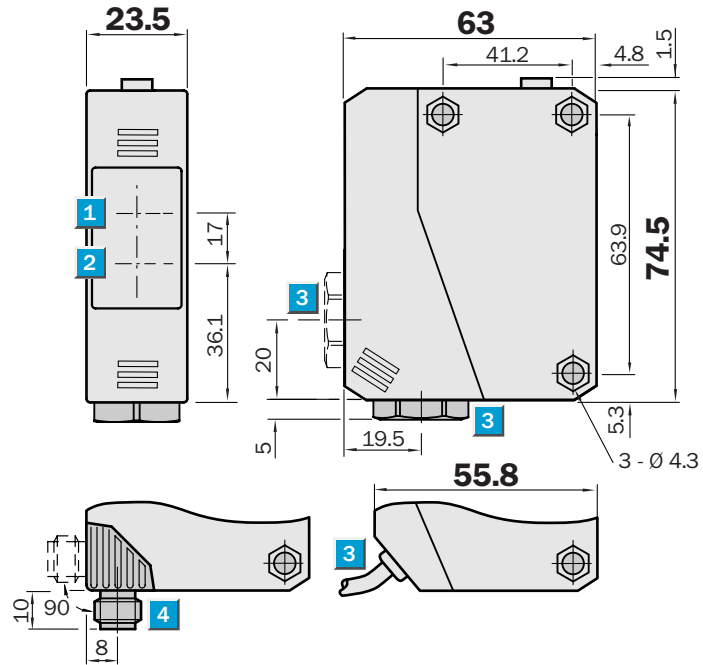
Type	Order no.
WT280-S132	6 027 482
WT280-S230	6 027 480

**Scanning range**  
 0.01 ... 11 m  
 Photoelectric reflex switches

- Polarising filter
- Red light
- Terminal chamber or cable connection
- M12 plug rotatable by 90°
- Reflector P 250 and mounting brackets (1.4301) included with delivery

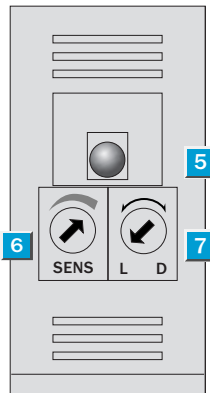


**Dimensional drawing**



**Adjustments possible**

All types

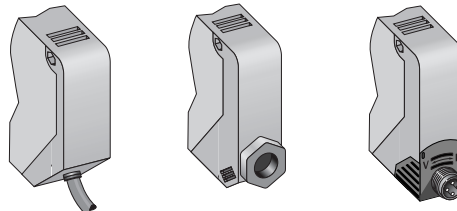


- 1 Centre of optical axis – receiver
- 2 Centre of optical axis – sender
- 3 Cable entry gland 1/2" PF for cable diameter 6 to 10 mm or 3-core cable Ø 3.8 mm
- 4 Plug M12, 4-pin, rotatable by 90°
- 5 Signal strength indicator
- 6 Sensitivity adjustment
- 7 Light/dark rotary switch  
L = light-switching, D = dark-switching



**Connection type**

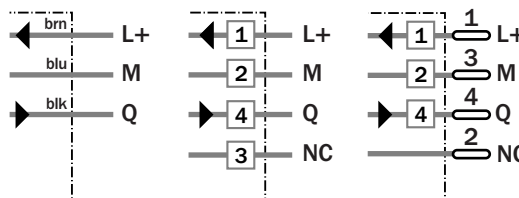
WL280-P132	WL280-P230	WL280-P430
WL280-N132	WL280-N230	WL280-N430



3 x 0.18 mm<sup>2</sup>

Terminals

4-pin, M12



**Accessories**

Cables and connectors
Mounting systems *)
Reflectors **)

\*) Mounting brackets included with delivery  
 \*\*) Reflector P 250 included with delivery

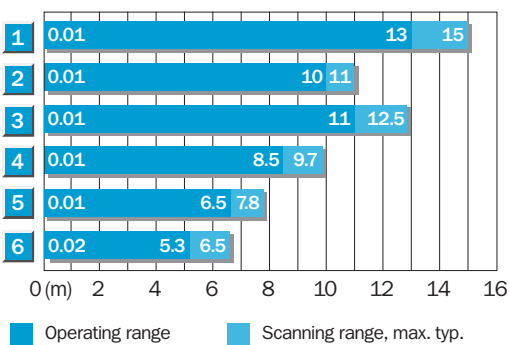
Technical data		WL 280-	P 132	P 230	P 430	N 132	N 230	N 430				
<b>Scanning range</b> , max. typ./on reflector	0.01 ... 11 m/P 250											
<b>Operating range</b>	0.01 ... 10 m/P 250											
<b>Light source <sup>1)</sup>, light type</b>	LED, red light											
Light spot diameter	Approx. 280 mm at 10 m											
Angle of dispersion, sender	Approx. 1.6°											
<b>Supply voltage <math>V_S</math></b>	10 ... 30 V DC <sup>2)</sup>											
Residual ripple <sup>3)</sup>	$\leq 5 V_{PP}$											
Current consumption <sup>4)</sup>	$\leq 30$ mA											
<b>Switching outputs</b>	PNP, open collector: Q											
	NPN, open collector: Q											
Output current $I_A$ max.	100 mA											
Light receiver, switching mode	Light-/dark-switching by rotary switch											
Response time <sup>5)</sup>	$\leq 0.5$ ms											
Max. switching frequency <sup>6)</sup>	1000/s											
<b>Connection types</b>	Cable <sup>7)</sup> , 2 m											
	Terminal chamber											
	M12 plug, 4-pin											
<b>VDE protection class</b>	$\diamond$ (to VDE 0106)											
<b>Circuit protection <sup>8)</sup></b>	A, B, C, D											
<b>Enclosure rating</b>	IP 66											
<b>Ambient temperature</b>	Operation $-25$ °C ... $+55$ °C											
	Storage $-40$ °C ... $+70$ °C											
<b>Weight</b>	Approx. 150 g											
<b>Housing material</b>	Housing: ABS; optics: PMMA											

- 1) Average service life 100,000 h at  $T_A = +25$  °C
- 2) Limit values
- 3) May not exceed or fall short of  $V_S$  tolerances

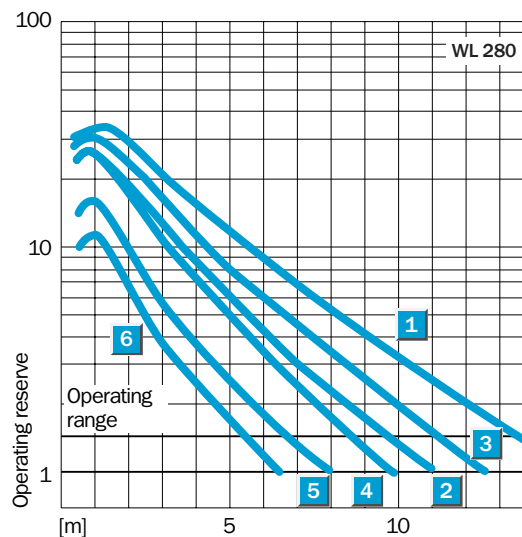
- 4) Without load
- 5) Signal transit time with resistive load
- 6) With light/dark ratio 1:1
- 7) Do not bend below 0 °C

- 8) A =  $V_S$  connections reverse-polarity protected
- B = Inputs/outputs reverse-polarity protected
- C = Interference pulse suppression
- D = Outputs overcurrent and short-circuit protected

**Scanning range and operating reserve**



Reflector type	Operating range
1 PL 80 A	0.01 ... 13.0 m
2 P 250	0.01 ... 10.0 m
3 PL 50 A or PL 40 A	0.01 ... 11.0 m
4 PL 30 A or PL 31 A	0.01 ... 8.5 m
5 PL 20 A	0.01 ... 6.5 m
6 Reflective tape Diamond Grade	0.02 ... 5.3 m



**Order information**

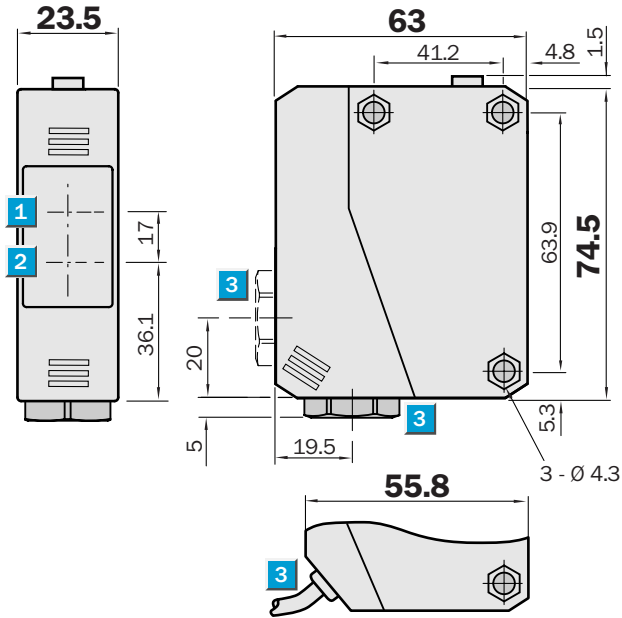
Type	Order no.
WL280-P132	6 028 284
WL280-P230	6 028 282
WL280-P430	6 028 286
WL280-N132	6 028 285
WL280-N230	6 028 283
WL280-N430	6 028 287

	<b>Scanning range</b>
	<b>0.01 ... 11 m</b>
<b>Photoelectric reflex switches</b>	

- Polarising filter
- Red light
- Terminal chamber or cable connection
- Reflector P 250 and mounting brackets (1.4301) included with delivery
- CE generic emission standard EN 61000-6-3 (“Residential and Commercial Areas”)



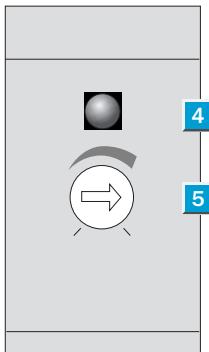
**Dimensional drawing**



**Adjustments possible**

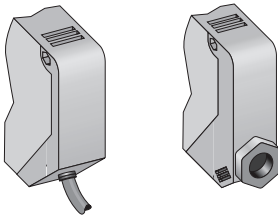
- WL280-S132
- WL280-S230

- 1 Centre of optical axis – receiver
- 2 Centre of optical axis – sender
- 3 Cable entry gland 1/2" PF for cable diameter 6 to 10 mm or 5-core cable Ø 6.3 mm
- 4 Signal strength indicator
- 5 Sensitivity adjustment



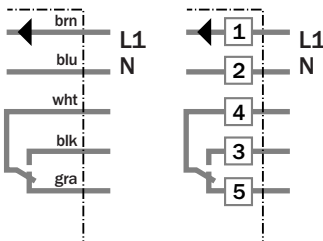
**Connection type**

- WL280-S132
- WL280-S230



5 x 0.76 mm<sup>2</sup>

Terminals



<b>Accessories</b>
Cables and connectors
Mounting systems *)
Reflectors **)

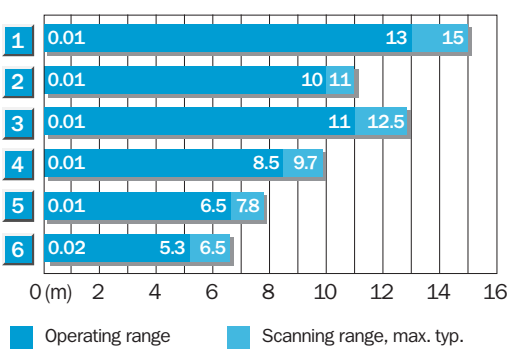
\*) Mounting brackets included with delivery  
 \*\*) Reflector P 250 included with delivery



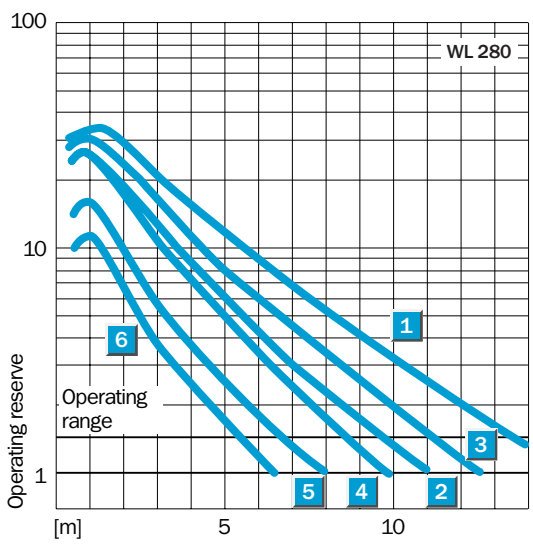
Technical data		WL 280-	S 132	S 230								
<b>Scanning range</b> , max. typ./on reflector	0.01 ... 11 m/P 250											
<b>Operating range</b>	0.01 ... 10 m/P 250											
<b>Light source <sup>1)</sup>, light type</b>	LED, red light											
Light spot diameter	Approx. 280 mm at 10 m											
Angle of dispersion, sender	Approx. 1.6°											
<b>Supply voltage <math>V_S</math> <sup>2)</sup></b>	24 ... 240 V DC/24 ... 240 V AC											
Current consumption	≤ 5 VA											
<b>Switching outputs</b>	Relay 1 x u, galv. separated											
Max. switching current <sup>3)</sup>	3 A/240 V AC; 3 A/30 V DC											
Light receiver	Light-switching											
Response time	≤ 20 ms											
Max. switching frequency <sup>4)</sup>	25/s											
<b>Connection type</b>	Cable <sup>5)</sup> , 2 m											
	Terminal chamber											
<b>VDE protection class <sup>6)</sup></b>	<input type="checkbox"/>											
<b>Circuit protection <sup>7)</sup></b>	A, C											
<b>Enclosure rating</b>	IP 66											
<b>Ambient temperature</b>	Operation -25 °C ... +55 °C											
	Storage -40 °C ... +70 °C											
<b>Weight</b>	Approx. 150 g											
<b>Housing material</b>	Housing: ABS; optics: PMMA											

1) Average service life 100,000 h at  $T_A = +25\text{ °C}$   
 2) ± 10 %  
 3) Provide suitable spark suppression for inductive and capacitive loads  
 4) With light/dark ratio 1:1  
 5) Do not bend below 0 °C  
 6) Reference voltage 250 V UC  
 7) A =  $V_S$  connections reverse-polarity protected  
 C = Interference pulse suppression

**Scanning range and operating reserve**



Reflector type	Operating range
1 PL 80 A	0.01 ... 13.0 m
2 P 250	0.01 ... 10.0 m
3 PL 50 A or PL 40 A	0.01 ... 11.0 m
4 PL 30 A or PL 31 A	0.01 ... 8.5 m
5 PL 20 A	0.01 ... 6.5 m
6 Reflective tape Diamond Grade	0.02 ... 5.3 m



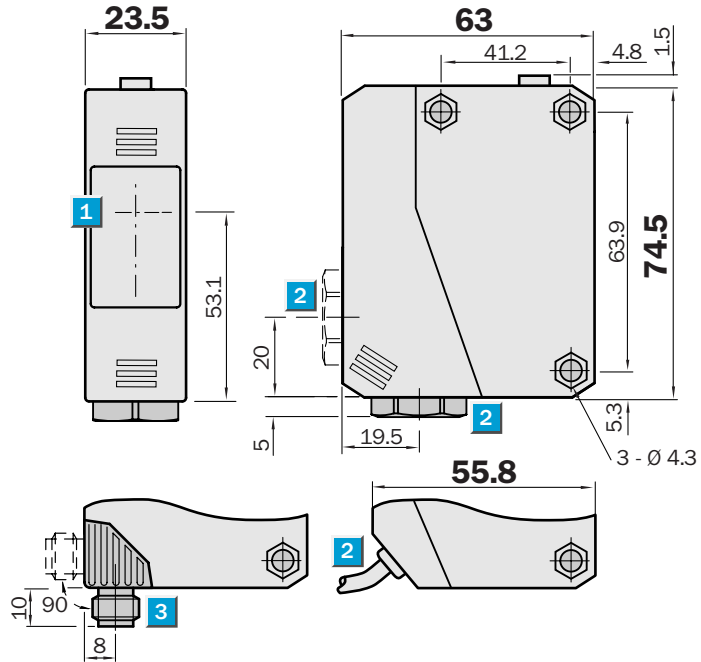
Order information	
Type	Order no.
WL280-S132	6 027 486
WL280-S230	6 027 484

**Scanning range**  
45 m

Through-beam photoelectric switches

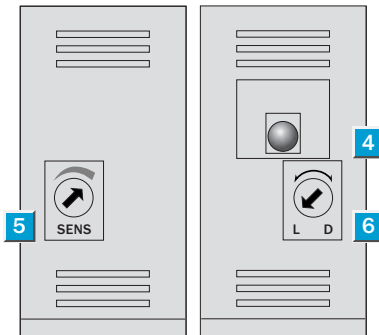
- Red light
- Terminal chamber or cable connection
- M12 plug rotatable by 90°
- Mounting brackets (1.4301) included with delivery

**Dimensional drawing**



**Adjustments possible**

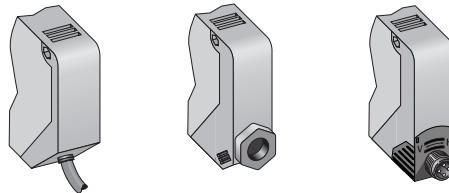
WS280-D132	WE280-P132	WE280-N132
WS280-D230	WE280-P230	WE280-N230
WS280-D430	WE280-P430	WE280-N430



- 1** Optical axis – sender and receiver
- 2** Cable entry gland 1/2" PF for cable diameter 6 to 10 mm or 3-core cable Ø 3.8 mm
- 3** Plug M12, 4-pin, rotatable by 90°
- 4** Signal strength indicator
- 5** Sensitivity adjustment
- 6** Light/dark rotary switch  
L = light-switching,  
D = dark-switching

**Connection type**

WS/WE280-P132	WS/WE280-P230	WS/WE280-P430
WS/WE280-N132	WS/WE280-N230	WS/WE280-N430



2 x 0.18 mm<sup>2</sup>

Terminals

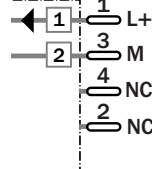
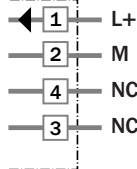
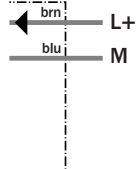
4-pin, M12

**Accessories**

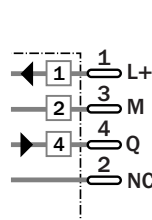
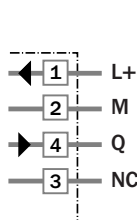
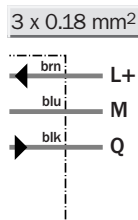
- Cables and connectors
- Mounting systems \*)

\*) Mounting brackets included with delivery

Sender



Receiver



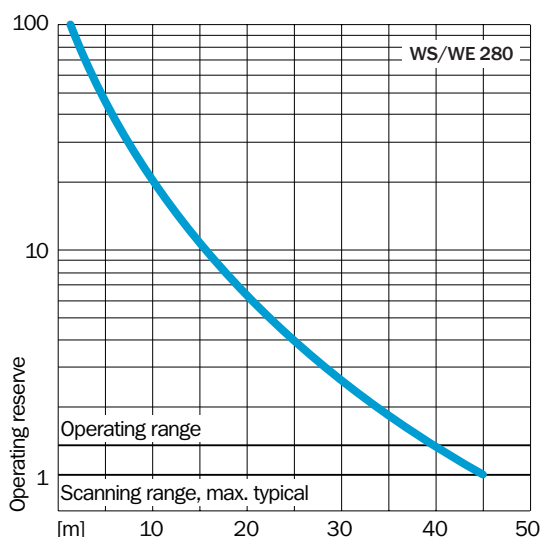
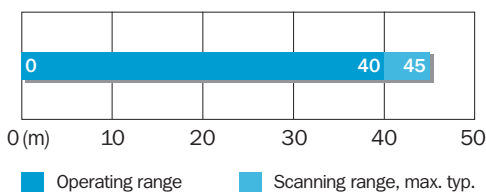
Technical data		WS/WE 280-	P 132	P 230	P 430	N 132	N 230	N 430				
<b>Scanning range, max. typ.</b>	45 m											
<b>Operating range</b>	40 m											
<b>Light source <sup>1)</sup>, light type</b>	LED, red light											
Light spot diameter	Approx. 1 m at 40 m											
Angle of dispersion, sender	Approx. 1.4°											
Angle of reception, receiver	Approx. 6°											
<b>Supply voltage <math>V_S</math></b>	10 ... 30 V DC <sup>2)</sup>											
Residual ripple <sup>3)</sup>	$\leq 5 V_{PP}$											
Current consumption <sup>4)</sup> sender	$\leq 35$ mA											
receiver	$\leq 35$ mA											
<b>Switching outputs</b>	PNP, open collector: Q											
	NPN, open collector: Q											
Output current $I_A$ max.	100 mA											
Light receiver, switching mode	Light-/dark-switching by rotary switch											
Response time <sup>5)</sup>	$\leq 0.5$ ms											
Max. switching frequency <sup>6)</sup>	1000/s											
<b>Connection types</b>	Cable <sup>7)</sup> , 2 m											
	Terminal chamber											
	M12 plug, 4-pin											
<b>VDE protection class</b>	$\diamond$ (to VDE 0106)											
<b>Circuit protection <sup>8)</sup></b>	A, B, C, D											
<b>Enclosure rating</b>	IP 66											
<b>Ambient temperature</b>	Operation $-25$ °C ... $+55$ °C											
	Storage $-40$ °C ... $+70$ °C											
<b>Weight</b>	Approx. 150 g											
<b>Housing material</b>	Housing: ABS; optics: PMMA											

1) Average service life 100,000 h at  $T_A = +25$  °C  
 2) Limit values  
 3) May not exceed or fall short of  $V_S$  tolerances

4) Without load  
 5) Signal transit time with resistive load  
 6) With light/dark ratio 1:1  
 7) Do not bend below 0 °C

8) A =  $V_S$  connections reverse-polarity protected  
 B = Inputs/outputs reverse-polarity protected  
 C = Interference pulse suppression  
 D = Outputs overcurrent and short-circuit protected

**Operating range and operating reserve**



**Order information**

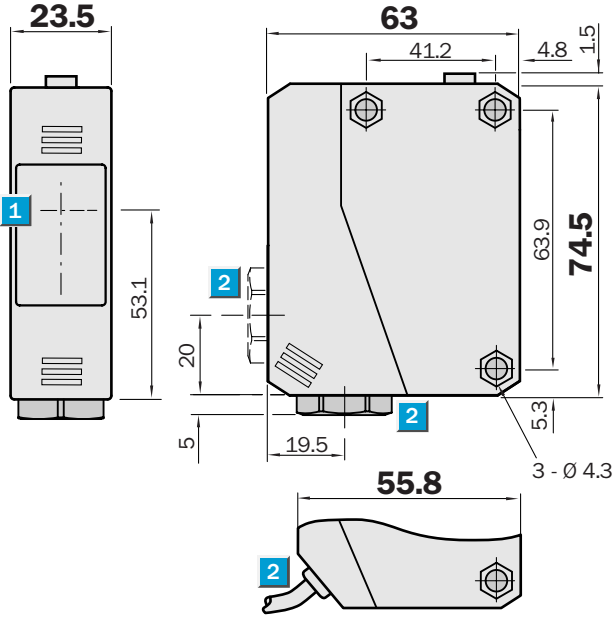
Type	Order no.
WS/WE280-P132	6 028 290
WS/WE280-P230	6 028 288
WS/WE280-P430	6 028 293
WS/WE280-N132	6 028 292
WS/WE280-N230	6 028 289
WS/WE280-N430	6 028 294

**Scanning range**  
45 m

Through-beam photoelectric switches

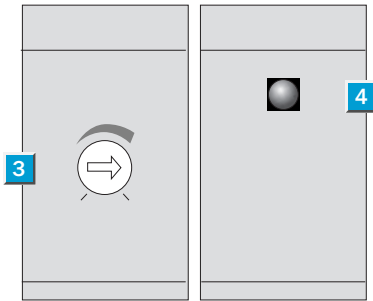
- Red light
- Terminal chamber or cable connection
- Mounting brackets (1.4301) included with delivery
- CE generic emission standard EN 61000-6-3 (“Residential and Commercial Areas”)

**Dimensional drawing**



**Adjustments possible**

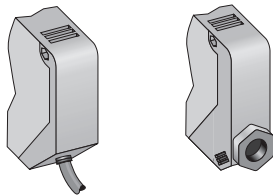
WS280-U132	WE280-S132
WS280-U230	WE280-S230



- 1 Optical axis – sender and receiver
- 2 Cable entry gland 1/2" PF for cable diameter 6 to 10 mm or 5-core cable Ø 6.3 mm
- 3 Sensitivity adjustment
- 4 Signal strength indicator

**Connection type**

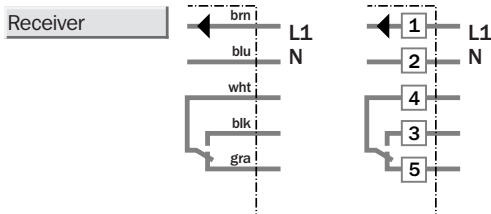
WS/WE280-S132	WS/WE280-S230
---------------	---------------



2 x 0.76 mm<sup>2</sup> Terminals



5 x 0.76 mm<sup>2</sup>



**Accessories**

- Cables and connectors
- Mounting systems \*)

\*) Mounting brackets included with delivery

Technical data		WS/WE 280-	S 132	S 230								
<b>Scanning range, max. typ.</b>	45 m											
<b>Operating range</b>	40 m											
<b>Light source <sup>1)</sup>, light type</b>	LED, red light											
Light spot diameter	Approx. 1 m at 40 m											
Angle of dispersion, sender	Approx. 1.4°											
Angle of reception, receiver	Approx. 6°											
<b>Supply voltage <math>V_S</math> <sup>2)</sup></b>	24 ... 240 V DC/24 ... 240 V AC											
Current consumption	sender	≤ 3.5 VA										
	receiver	≤ 3.5 VA										
<b>Switching outputs</b>	Relay 1 x u, galv. separated											
Max. switching current <sup>3)</sup>	3 A/240 V AC; 3 A/30 V DC											
Light receiver	Light-switching											
Response time	≤ 20 ms											
Max. switching frequency <sup>4)</sup>	25/s											
<b>Connection types</b>	Cable <sup>5)</sup> , 2 m											
	Terminal chamber											
<b>VDE protection class <sup>6)</sup></b>	<input type="checkbox"/>											
<b>Circuit protection <sup>7)</sup></b>	A, C											
<b>Enclosure rating</b>	IP 66											
<b>Ambient temperature</b>	Operation -25 °C ... +55 °C											
	Storage -40 °C ... +70 °C											
<b>Weight</b>	Approx. 150 g											
<b>Housing material</b>	Housing: ABS; optics: PMMA											

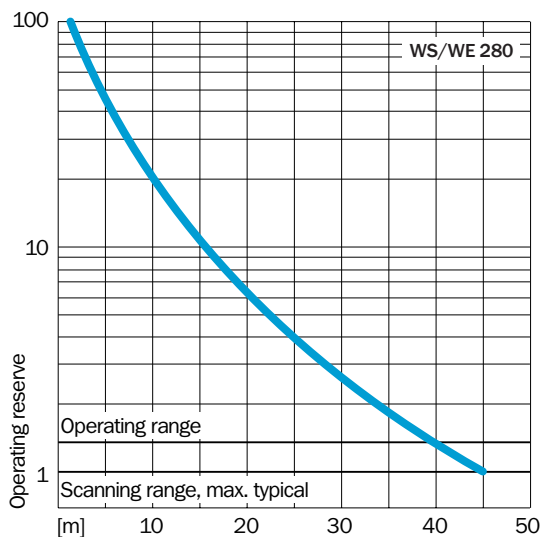
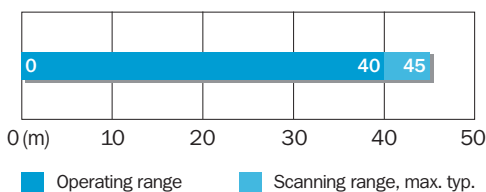
1) Average service life 100,000 h at  $T_A = +25 °C$   
 2) ± 10 %

3) Provide suitable spark suppression for inductive and capacitive loads  
 4) With light/dark ratio 1:1

5) Do not bend below 0 °C  
 6) Reference voltage 250 V UC

7) A =  $V_S$  connections reverse-polarity protected  
 C = Interference pulse suppression

**Operating range and operating reserve**



**Order information**

Type	Order no.
WS/WE280-S132	6 027 490
WS/WE280-S230	6 027 488

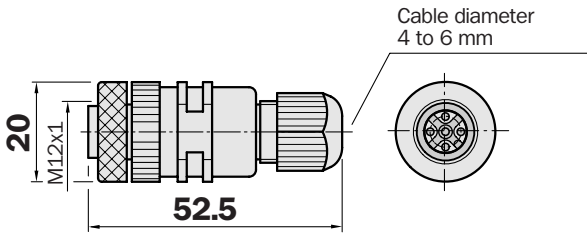
Dimensional drawings and order information

- Pinout to EN 50044
- DC coding

SENSICK screw-in system M12, 4-pin, enclosure rating IP 67

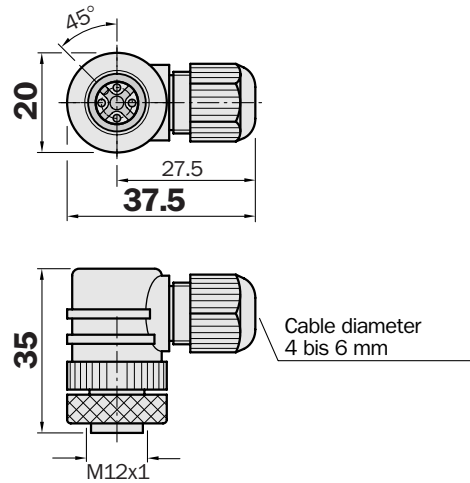
Female connector M12, 4-pin, straight

Type	Order no.	Contacts
DOS-1204-G	6 007 302	4



Female connector M12, 4-pin, right angle

Type	Order no.	Contacts
DOS-1204-W	6 007 303	4



Female connector M12, 4-pin, straight

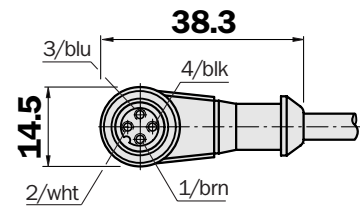
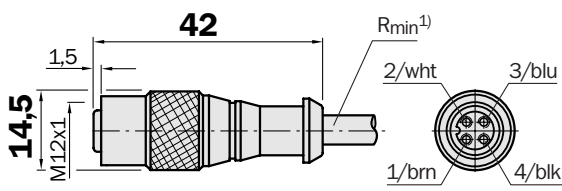
Cable diameter 5/6 mm, 4/5 x 0.25 mm<sup>2</sup>, sheath PVC

Type	Order no.	Contacts	Cable length
DOL-1204-G02M	6 009 382	4	2 m
DOL-1204-G05M	6 009 866	4	5 m
DOL-1204-G10M	6 010 543	4	10 m

Female connector M12, 4-pin, right angle

Cable diameter 5/6 mm, 4/5 x 0.25 mm<sup>2</sup>, sheath PVC

Type	Order no.	Contacts	Cable length
DOL-1204-W02M	6 009 383	4	2 m
DOL-1204-W05M	6 009 867	4	5 m
DOL-1204-W10M	6 010 541	4	10 m



<sup>1)</sup> Minimum bend radius in dynamic use  
 $R_{min} = 20 \times \text{cable diameter}$

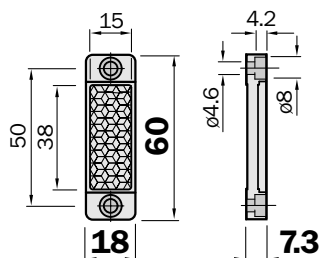
Dimensional drawings and order information

Reflectors

Plastic design for temperatures up to 65 °C

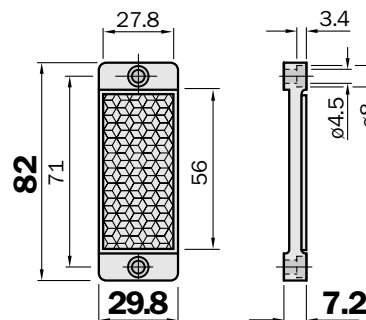
Reflector 20 x 40 mm<sup>2</sup>

Type	Order no.
PL 20 A	1 012 719



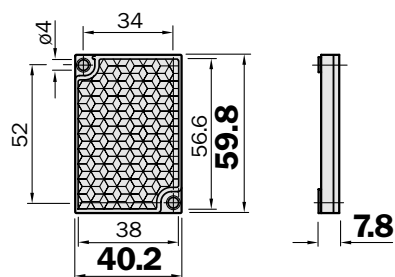
Reflector 30 x 50 mm<sup>2</sup>

Type	Order no.
PL 30 A	1 002 314



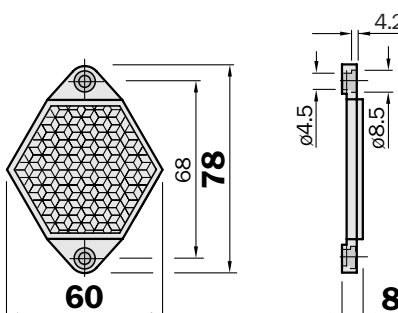
Reflector 40 x 60 mm<sup>2</sup>

self-adhesive	
Type	Order no.
PL 40 A	1 012 720



Reflector, 6-sided

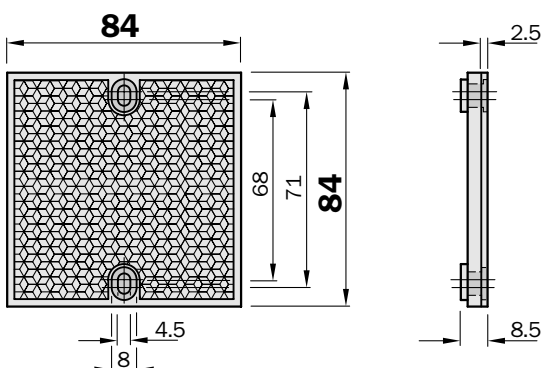
width across flats 48 mm	
Type	Order no.
PL 50 A	1 000 132



Also available as a heated version:  
 Continuous heating: PL 50HK,  
 Order no. 1 011 545  
 Controlled heating: PL 50HS,  
 Order no. 1 009 871

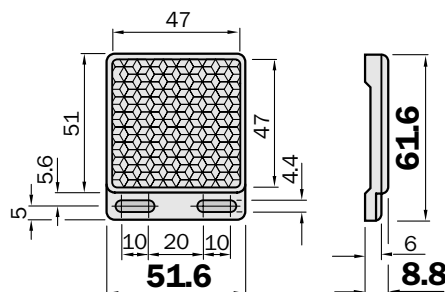
Reflector 80 x 80 mm<sup>2</sup>

Type	Order no.
PL 80 A	1 003 865



Reflector 47 x 47 mm<sup>2</sup>

Type	Order no.
P 250	5 304 812



Included in the WL 280 scope of supply

## Dimensional drawings and order information

### Reflectors

Plastic design for temperatures up to 65 °C

#### Reflective tape "Diamond Grade"

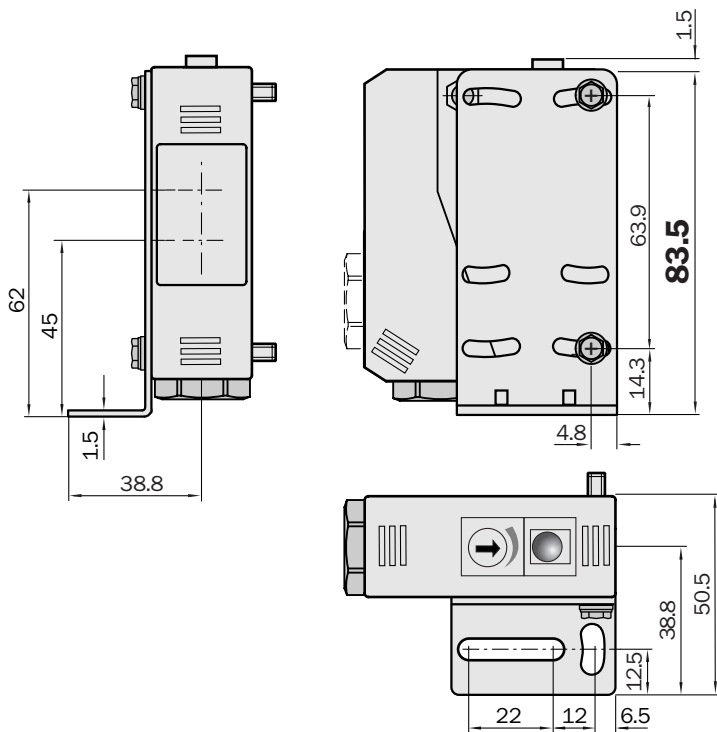
Type	Order no.	
REF-DG-K	4 019 634	cut to size
REF-DG	5 304 334	sheet 749 x 914 mm



### Mounting systems

#### Mounting bracket, Assembly A

Type	Order no.
BEF-W280	5 313 885



Included in the W 280 scope of supply

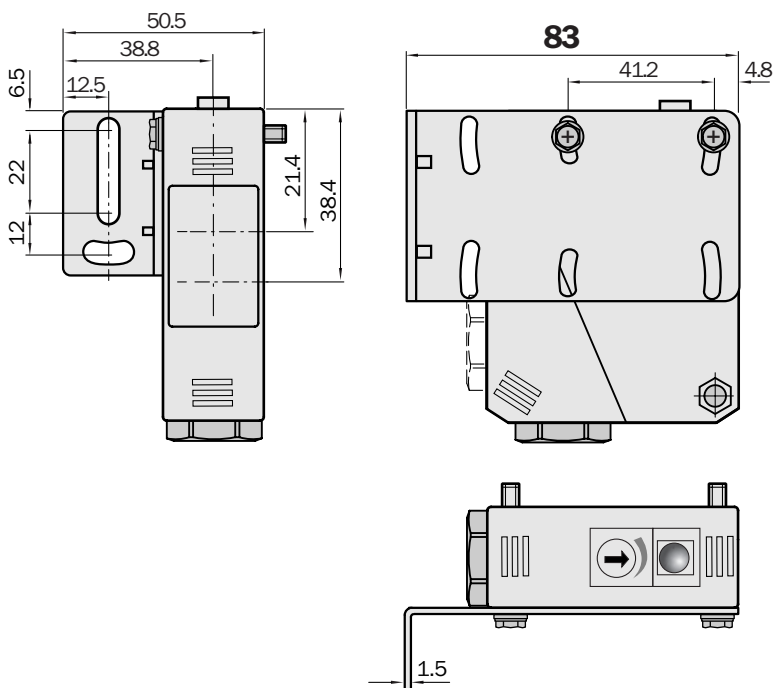


Dimensional drawings and order information

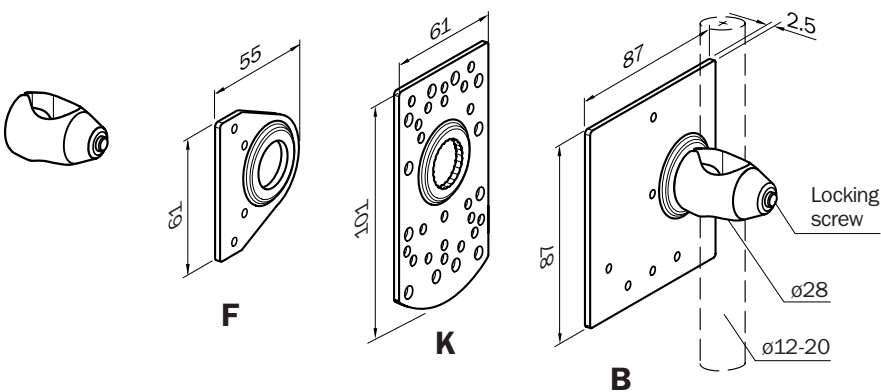
Mounting systems

Mounting bracket, Assembly B

Type	Order no.
BEF-W280	5 313 885



Universal bar clamps for sensors and reflectors



Mounting plate	Type	Order no. <sup>1)</sup>	for device/reflector type
<b>B</b>	BEF-KHS-B01	2 022 459	P 250, PL 30 A, PL 40 A, PL 50 A, PL 80 A
<b>F</b>	BEF-KHS-F01	2 022 463	PL 20 A, P 250
<b>K</b>	BEF-KHS-K01	2 022 718	W 280
	BEF-KHS-KH1	2 022 726	Rod mount assembly without fixing plate and assembly material

<sup>1)</sup> Order no. includes bar support and mounting material

Contact:

**A u s t r a l i a**

Phone +61 3 9497 4100  
1800 33 48 02 – tollfree  
E-Mail sales@sick.com.au

**B e l g i u m / L u x e m b o u r g**

Phone +32 (0)2 466 55 66  
E-Mail info@sick.be

**B r a s i l**

Phone +55 11 5091-4900  
E-Mail sac@sick.com.br

**C e s k á R e p u b l i k a**

Phone +420 2 57 91 18 50  
E-Mail sick@sick.cz

**C h i n a**

Phone +852-2763 6966  
E-Mail ghk@sick.com.hk

**D a n m a r k**

Phone +45 45 82 64 00  
E-Mail sick@sick.dk

**D e u t s c h l a n d**

Phone +49 (0)2 11 53 01-250  
E-Mail vzdinfo@sick.de

**E s p a ñ a**

Phone +34 93 480 31 00  
E-Mail info@sick.es

**F r a n c e**

Phone +33 1 64 62 35 00  
E-Mail info@sick.fr

**G r e a t B r i t a i n**

Phone +44 (0)1727 831121  
E-Mail info@sick.co.uk

**I t a l i a**

Phone +39 02 27 40 93 19  
E-Mail ced@sick.it

**J a p a n**

Phone +81 (0)3 3358 1341  
E-Mail info@sick.jp

**K o r e a**

Phone +82-2 786 6321/4  
E-Mail kang@sickkorea.net

**N e d e r l a n d s**

Phone +31 (0)30 229 25 44  
E-Mail info@sick.nl

**N o r g e**

Phone +47 67 81 50 00  
E-Mail austefjord@sick.no

**Ö s t e r r e i c h**

Phone +43 (0)22 36 62 28 8-0  
E-Mail office@sick.at

**P o l s k a**

Phone +48 22 837 40 50  
E-Mail info@sick.pl

**S c h w e i z**

Phone +41 41 619 29 39  
E-Mail contact@sick.ch

**S i n g a p o r e**

Phone +65 6744 3732  
E-Mail admin@sicksgp.com.sg

**S u o m i**

Phone +358-9-25 15 800  
E-Mail sick@sick.fi

**S v e r i g e**

Phone +46 8 680 64 50  
E-Mail info@sick.se

**T a i w a n**

Phone +886 2 2365-6292  
E-Mail sickgrc@ms6.hinet.net

**T ü r k i y e**

Phone +90 216 388 95 90 pbx  
E-Mail info@sick.com.tr

**U S A / C a n a d a / M é x i c o**

Phone +1(952) 941-6780  
1 800-325-7425 – tollfree  
E-Mail info@sickusa.com

More representatives and agencies  
in all major industrial nations at  
www.sick.com

The SICK logo consists of the word "SICK" in a bold, blue, sans-serif font. The letters are closely spaced and have a slight shadow effect.