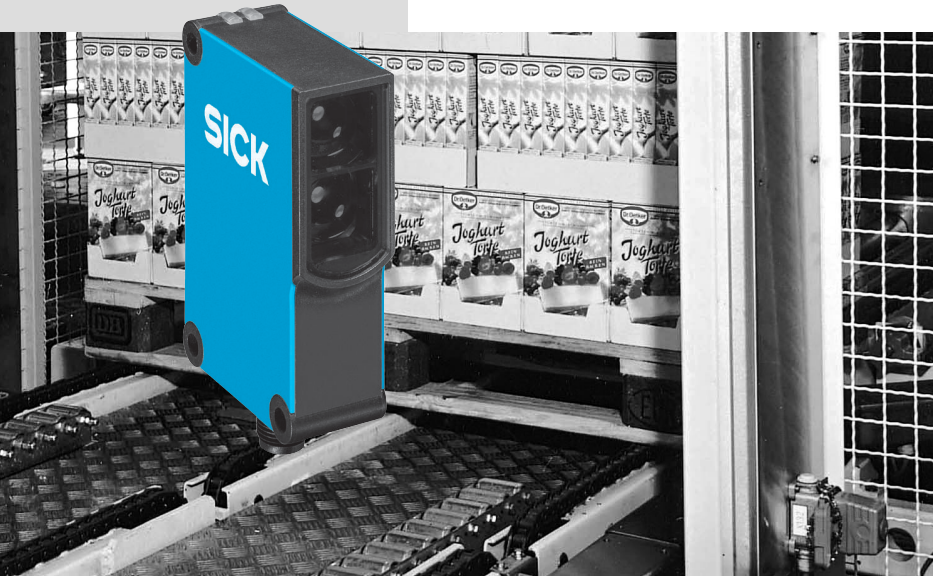


# W 23-2: Focussing on what is essential and economic

	<b>BGB Photoelectric proximity switch</b>
	<b>Energetic Photoelectric proximity switch</b>
	<b>Photoelectric reflex switch</b>



The indicator LEDs on the W 23-2 offer 360° all-round visibility for improved convenience during set up and operation.

#### Overview of W 23-2:

- "Plug & Play" photoelectric reflex switch
- Energetic sensor: easy Teach-in, ready to operate in less time
- Faster monitoring with 360° visibility for indicator LEDs


#### Typical uses:

- Storage and conveying technology
- Woodworking machinery
- Doors/gates
- Applications in automation processes

**T**he W 23-2 series photoelectric switches are geared to applications where economic considerations are particularly important. Easy to install and commission, they can be quickly aligned using the high visibility light spot and are ready to operate, enabling customers to "Plug and Play". The same applies to the energetic sensor. Within seconds, and at the touch of a button, it is adjusted to an object.

Finally, the photoelectric proximity switch with background blanking completes the product range and also benefits from fast adjustment. With standardised connections and two versions for 24 V DC or 240 V AC operation, the integration into machinery or systems is made easy.

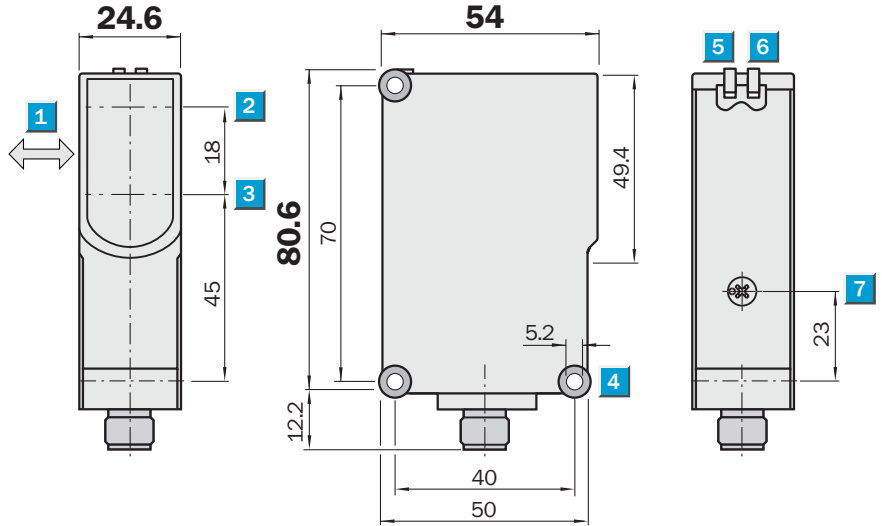
# Photoelectric proximity switch, WT 23-2, red light, BGB - DC

 **Scanning range**  
50 ... 800 mm

Photoelectric proximity switch

- Background blanking
- Red light, easier alignment
- 360° visibility on indicator LEDs, for faster monitoring

## Dimensional drawing



## Adjustments possible

WT23-2P2441  
WT23-2P3441

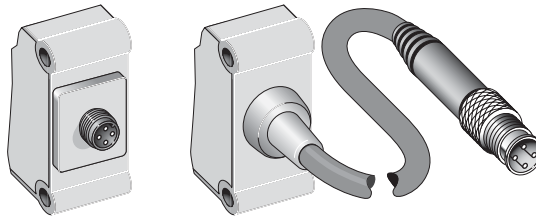


- Standard direction of the material being scanned
- Optical axis sender
- Optical axis receiver
- Mounting hole  $\varnothing$  5.2 mm
- LED indicator green; power on
- LED indicator yellow; status of received light beam
- Sensitivity adjustment: Poti



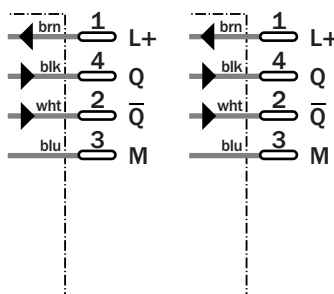
## Connection type

WT23-2P2441    WT23-2P3441



M12, 4-pin

M12, 4-pin



## Accessories

Connector, M12, 4-pin  
Mounting systems  
Weather protection

		WT23-2	P2441	P3441								
<b>Scanning range typ. max.</b>	50 ... 800 mm <sup>1)</sup>											
<b>Scanning range, recommended</b>	100 ... 800 mm <sup>1)</sup>											
Scanning range sensitivity	Poti											
<b>Light source, light type</b>	LED, Red light, 660 nm <sup>2)</sup>											
Light spot diameter	Approx. 30 mm at 800 mm distance											
<b>Supply voltage V<sub>s</sub></b>	DC 10 ... 30 V <sup>3)</sup>											
Ripple	≤ 5 V <sub>SS</sub> <sup>4)</sup>											
Current consumption	≤ 30 mA <sup>5)</sup>											
<b>Switching outputs</b>	PNP antivalent											
Signal voltage PNP HIGH / LOW	> V <sub>s</sub> - 2.5 V / approx. 0 V											
Output current I <sub>a</sub> max	≤ 100 mA											
Response time	≤ 2.5 ms <sup>6)</sup>											
Switching frequency	200 Hz <sup>7)</sup>											
<b>Connection type</b>	Connector, M12, 4-pin											
	Cable with plug, M12, 4-pin, PVC, 300 mm <sup>8)</sup>											
<b>VDE protection class</b>	□ <sup>9)</sup>											
<b>Circuit protection</b>	V <sub>s</sub> connections reverse-polarity protected / All outputs short-circuit protected / Interference pulse suppression											
<b>Enclosure rating</b>	IP 65											
<b>Ambient temperature operation</b>	-25 °C ... +60 °C											
<b>Ambient temperature storage</b>	-40 °C ... +70 °C											
<b>Weight</b>	Ca. 100 g											
	Ca. 120 g											
<b>Housing material</b>	ABS, PMMA											

<sup>1)</sup> Object with 90% remission (based on standard white to DIN 5033)

<sup>2)</sup> Average service life 100,000 h at

T<sub>a</sub> = +25°C

<sup>3)</sup> Limit values, operation in short-circuit protected network max. 8 A

<sup>4)</sup> May not exceed or fall short of V<sub>s</sub> tolerances

<sup>5)</sup> Without load

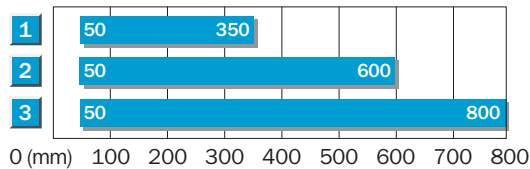
<sup>6)</sup> Signal transit time with resistive load

<sup>7)</sup> With light/dark ratio 1:1

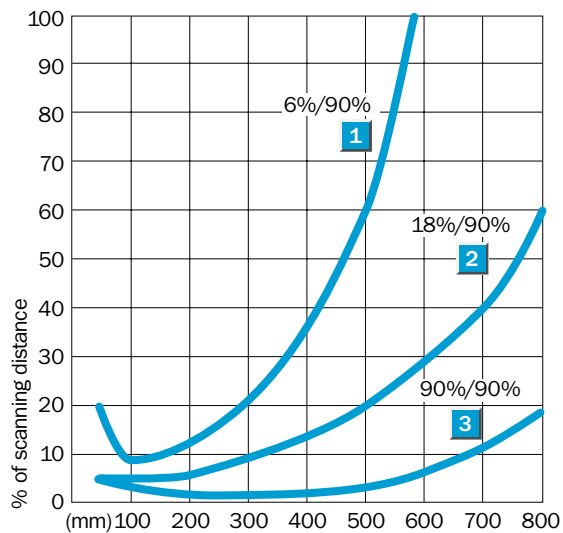
<sup>8)</sup> Do not bend below 0 °C

<sup>9)</sup> Reference voltage 50 V DC

**Scanning distance**




- 1 Scanning distance on black, 6 % remission
- 2 Scanning distance on grey, 18 % remission
- 3 Scanning distance on white, 90 % remission



**Ordering information**

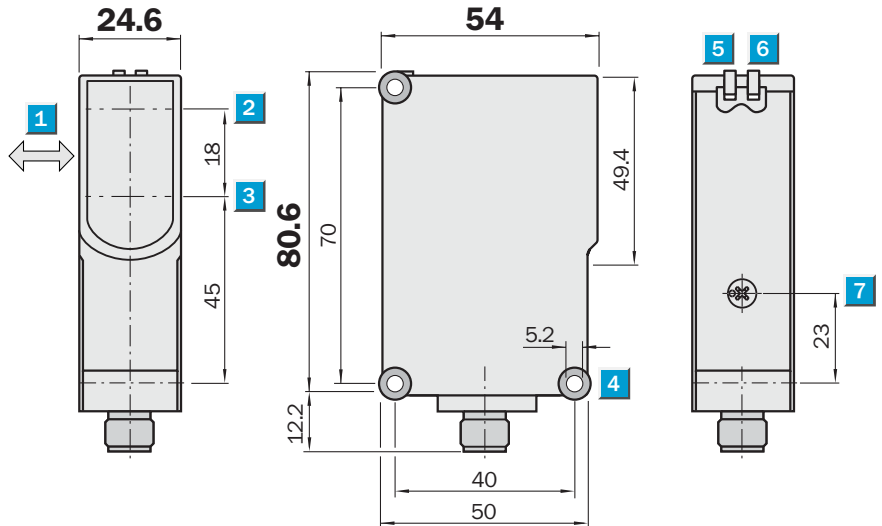
Type	Order No.
WT23-2P2441	1 027 779
WT23-2P3441	1 028 066

 **Scanning range**  
50 ... 1,000 mm

Photoelectric proximity switch

- Infrared light, long scanning distance
- Background blanking
- Flexible: 24 V DC or 240 V AC
- 360° visibility on indicator LEDs, for faster monitoring

**Dimensional drawing**



**Adjustments possible**

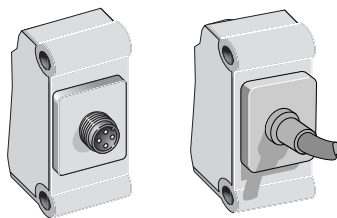
- WT23-2N2421
- WT23-2P2421
- WT23-2S1521

- 1 Standard direction of the material being scanned
- 2 Optical axis sender
- 3 Optical axis receiver
- 4 Mounting hole  $\varnothing$  5.2 mm
- 5 LED indicator green; power on
- 6 LED indicator yellow; status of received light beam
- 7 Sensitivity adjustment: Poti

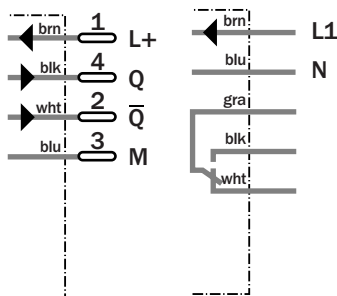


**Connection type**

- WT23-2N2421
- WT23-2P2421
- WT23-2S1521



M12, 4-pin      5 x 0.25 mm<sup>2</sup>



**Accessories \***

Connector, M12, 4-pin
Mounting systems
Weather protection

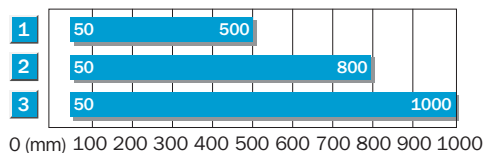
\* Recommendation for connectors:

 AWM Style 2464

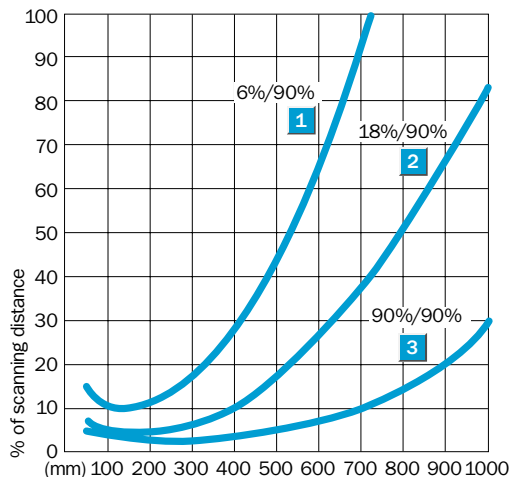
	WT23-2	N2421	P2421	S1521										
<b>Scanning range typ. max.</b>	50 ... 1,000 mm <sup>1)</sup>													
<b>Scanning range, recommended</b>	100 ... 1,000 mm <sup>1)</sup>													
Scanning range sensitivity	Poti													
<b>Light source, light type</b>	LED, Infrared light, 880 nm <sup>2)</sup>													
Light spot diameter	Approx. 60 mm at 800 mm distance													
<b>Supply voltage V<sub>s</sub></b>	DC 10 ... 30 V <sup>3)</sup>													
	AC 90 ... 265 V <sup>4)</sup>													
Ripple	≤ 5 V <sub>SS</sub> <sup>5)</sup>													
Current consumption	≤ 35 mA <sup>6)</sup>													
<b>Switching outputs</b>	NPN antivalent													
	PNP antivalent													
	Relay 1 x c/o, electrically safety isolated <sup>7)</sup>													
Signal voltage PNP HIGH / LOW	> V <sub>s</sub> - 2.5 V / approx. 0 V													
Signal voltage NPN HIGH / LOW	Approx. V <sub>s</sub> / < 2.5 V													
Output current I <sub>a</sub> max	≤ 100 mA													
Power consumption	≤ 2 VA													
Max. switching voltage	250 V AC / 120 V DC													
Switching current max.	4 A @ 250 V AC or 24 V DC <sup>8)</sup>													
Max. switching power	AC 1000 VA / DC 100 W													
Response time	≤ 2.5 ms <sup>9)</sup>													
	≤ 10 ms													
Switching frequency	200 Hz <sup>10)</sup>													
	10 Hz <sup>10)</sup>													
<b>Connection type</b>	Connector, M12, 4-pin													
	Cable, PVC, 2 m <sup>11)</sup>													
<b>VDE protection class</b>	□ <sup>12)</sup>													
	□ <sup>13)</sup>													
<b>Circuit protection</b>	V <sub>s</sub> connections reverse-polarity protected / All outputs short-circuit protected / Interference pulse suppression													
	V <sub>s</sub> connections reverse-polarity protected / Interference pulse suppression													
<b>Enclosure rating</b>	IP 65													
<b>Ambient temperature operation</b>	-25 °C ... +60 °C													
<b>Ambient temperature storage</b>	-40 °C ... +70 °C													
<b>Weight</b>	Ca. 100 g													
	Ca. 200 g													
<b>Housing material</b>	ABS, PMMA													

1) Object with 90% remission (based on standard white to DIN 5033)  
 2) Average service life 100,000 h at T<sub>a</sub> = +25°C  
 3) Limit values, operation in short-circuit  
 4) protected network max. 8 A  
 5) Limit values  
 6) May not exceed or fall short of V<sub>s</sub> tolerances  
 7) Without load  
 7) Provide suitable spark suppression for inductive or capacitive loads  
 8) Usage category to EN 60947-1, AC-15, DC-13  
 9) Signal transit time with resistive load  
 10) With light/dark ratio 1:1  
 11) Do not bend below 0 °C  
 12) Reference voltage 50 V DC  
 13) Reference voltage 250 V AC

**Scanning distance**




- 1 Scanning distance on black, 6% remission
- 2 Scanning distance on grey, 18% remission
- 3 Scanning distance on white, 90% remission



**Ordering information**

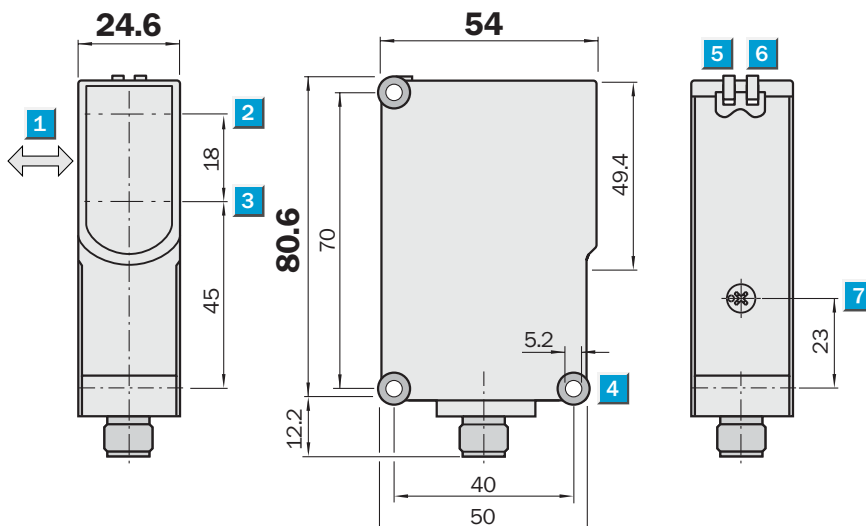
Type	Order No.
WT23-2N2421	1 028 073
WT23-2P2421	1 027 778
WT23-2S1521 *	1 027 780

\* Available November 2005


**Scanning range**  
 50 ... 2,000 mm  
 Photoelectric proximity switch

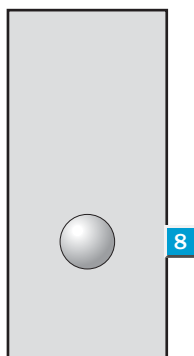
- Easy Teach-in, ready to operate in less time
- Infrared light, long scanning distance
- 360° visibility on indicator LEDs, for faster monitoring

**Dimensional drawing**



**Adjustments possible**

WTE23-2N2412  
WTE23-2P2412

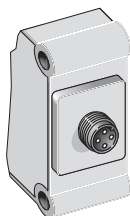


- 1 Standard direction of the material being scanned
- 2 Optical axis sender
- 3 Optical axis receiver
- 4 Mounting hole  $\varnothing$  5.2 mm
- 5 LED indicator green; power on
- 6 LED indicator yellow; status of received light beam
- 7 Sensitivity adjustment: Poti
- 8 Sensitivity adjustment: Single teach button

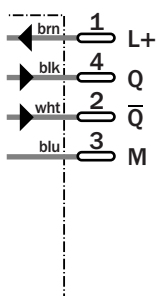


**Connection type**

WTE23-2N2412  
WTE23-2P2412



M12, 4-pin



Accessories
Connector, M12, 4-pin
Mounting systems
Weather protection



	WTE23-2	N2412	P2412
<b>Scanning range typ. max.</b>	50 ... 2,000 mm <sup>1)</sup>		
<b>Scanning range, recommended</b>	300 ... 2,000 mm <sup>1)</sup>		
Scanning range sensitivity	Teach-in: Single Teach button		
<b>Light source, light type</b>	LED, Infrared light, 880 nm <sup>2)</sup>		
Light spot diameter	Approx. 200 mm at 2000 mm distance		
<b>Supply voltage V<sub>s</sub></b>	DC 10 ... 30 V <sup>3)</sup>		
Ripple	≤ 5 V <sub>SS</sub> <sup>4)</sup>		
Current consumption	≤ 35 mA <sup>5)</sup>		
<b>Switching outputs</b>	NPN antivalent		
	PNP antivalent		
Signal voltage PNP HIGH / LOW	> V <sub>s</sub> - 2.5 V / approx. 0 V		
Signal voltage NPN HIGH / LOW	Approx V <sub>s</sub> / < 2.5 V		
Output current I <sub>a</sub> max	≤ 100 mA		
Response time	≤ 2.5 ms <sup>6)</sup>		
Switching frequency	200 Hz <sup>7)</sup>		
<b>Connection type</b>	Connector, M12, 4-pin		
<b>VDE protection class</b>	□ <sup>8)</sup>		
<b>Circuit protection</b>	V <sub>s</sub> connections reverse-polarity protected / All outputs short-circuit protected / Interference pulse suppression		
<b>Enclosure rating</b>	IP 65		
<b>Ambient temperature operation</b>	-25 °C ... +60 °C		
<b>Ambient temperature storage</b>	-40 °C ... +70 °C		
<b>Weight</b>	Ca. 100 g		
<b>Housing material</b>	ABS, PMMA		

<sup>1)</sup> Object with 90% remission (based on standard white to DIN 5033)

<sup>2)</sup> Average service life 100,000 h at

T<sub>a</sub> = +25°C

<sup>3)</sup> Limit values, operation in short-circuit protected network max. 8 A

<sup>4)</sup> May not exceed or fall short of V<sub>s</sub> tolerances

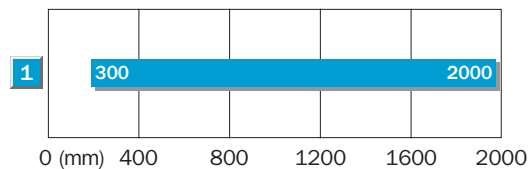
<sup>5)</sup> Without load

<sup>6)</sup> Signal transit time with resistive load

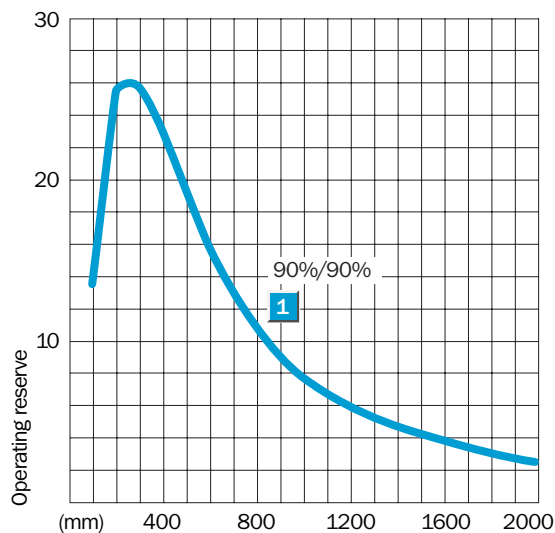
<sup>7)</sup> With light/dark ratio 1:1

<sup>8)</sup> Reference voltage 50 V DC

**Scanning distance**

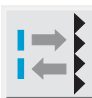


**1** Scanning distance on white, 90 % remission



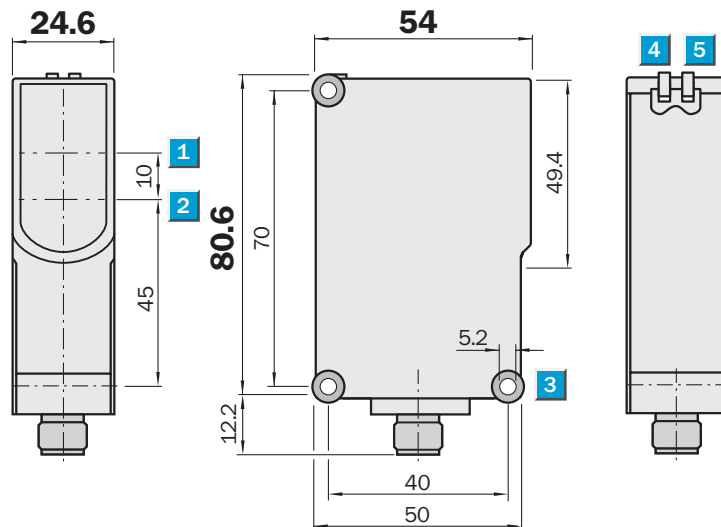
**Ordering information**

Type	Order No.
WTE23-2N2412	1 027 782
WTE23-2P2412	1 027 781


**Scanning range**  
**0.1 ... 10 m**  
**Photoelectric reflex switch**

- "Plug & Play", ready to operate in less time
- Excellent alignment to reflector
- Polarisation filter: safe detection even with shiny surfaces

## Dimensional drawing

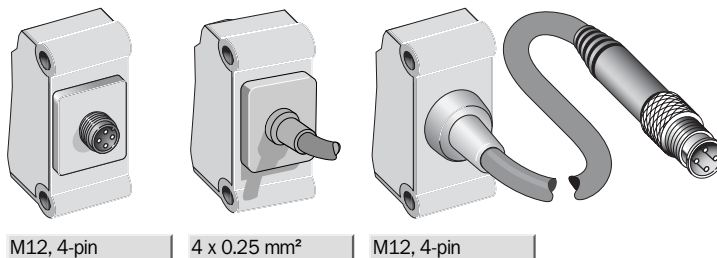


- 1 Optical axis sender
- 2 Optical axis receiver
- 3 Mounting hole  $\varnothing$  5.2 mm
- 4 LED indicator green; power on
- 5 LED indicator yellow; status of received light beam

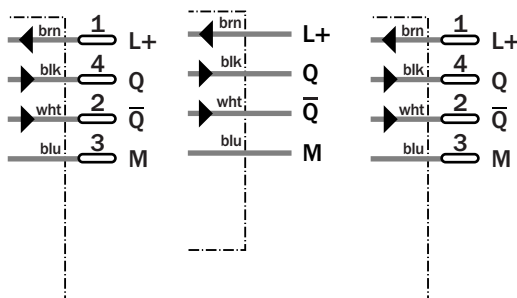


## Connection type

WL23-2N2430	WL23-2P1130	WL23-2P3430
WL23-2P2430		



M12, 4-pin      4 x 0.25 mm<sup>2</sup>      M12, 4-pin



<b>Accessories</b>
Connector, M12, 4-pin
Mounting systems
Reflectors
Weather protection



	WL23-2	N2430	P1130	P2430	P3430
<b>Scanning range max. typ.</b>	0.1 ... 10 m				
<b>Scanning range, recommended</b>	0.3 ... 7 m				
Relating to	Reflector PL 80 A				
<b>Light source, light type</b>	LED, Red light, 645 nm <sup>1)</sup>				
Light spot diameter	Approx. 35 mm at 2.7 m distance				
Angle of dispersion	Ca. 1.5 °				
Polarisation filter	✓				
<b>Supply voltage V<sub>s</sub></b>	DC 10 ... 30 V <sup>2)</sup>				
Ripple	≤ 5 V <sub>SS</sub> <sup>3)</sup>				
Current consumption	≤ 25 mA <sup>4)</sup>				
<b>Switching outputs</b>	NPN antivalent				
	PNP antivalent				
Signal voltage PNP HIGH / LOW	> V <sub>s</sub> - 2.5 V / approx. 0 V				
Signal voltage NPN HIGH / LOW	Approx. V <sub>s</sub> / < 2.5 V				
Output current I <sub>a</sub> max	≤ 100 mA				
Response time	≤ 2.5 ms <sup>5)</sup>				
Switching frequency	200 Hz <sup>6)</sup>				
<b>Connection type</b>	Connector, M12, 4-pin				
	Cable, PVC, 2 m <sup>7)</sup>				
	Cable with plug, M12, 4-pin, PVC, 300 mm <sup>7)</sup>				
<b>VDE protection class</b>	□ <sup>8)</sup>				
<b>Circuit protection</b>	V <sub>s</sub> connections reverse-polarity protected / All outputs short-circuit protected / Interference pulse suppression				
<b>Enclosure rating</b>	IP 65				
<b>Ambient temperature operation</b>	-25 °C ... +60 °C				
<b>Ambient temperature storage</b>	-40 °C ... +70 °C				
<b>Weight</b>	Ca. 100 g				
	Ca. 180 g				
	Ca. 120 g				
<b>Housing material</b>	ABS, PMMA				

<sup>1)</sup> Average service life 100,000 h at T<sub>a</sub> = +25 °C

<sup>2)</sup> Limit values, operation in short-circuit

protected network max. 8 A  
<sup>3)</sup> May not exceed or fall short of

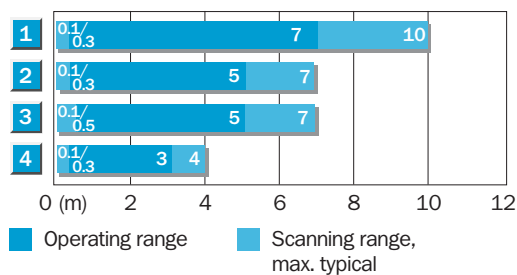
V<sub>s</sub> tolerances  
<sup>4)</sup> Without load

<sup>5)</sup> Signal transit time with resistive load

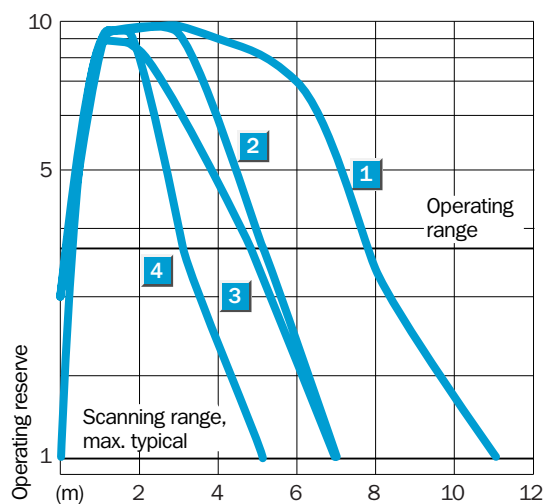
<sup>6)</sup> With light/dark ratio 1:1  
<sup>7)</sup> Do not bend below 0 °C

<sup>8)</sup> Reference voltage 50 V DC

**Scanning range and operating reserve**




Reflector type	Operating range
1 PL 80 A	0.3 ... 7.0 m
2 PL 40 A	0.3 ... 5.0 m
3 C 110	0.5 ... 5.0 m
4 PL 20 A	0.3 ... 3.0 m



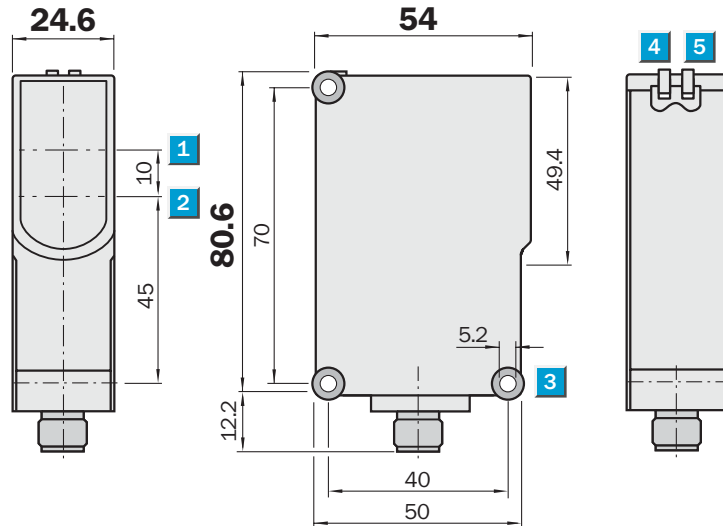
Ordering information	
Type	Order No.
WL23-2N2430	1 027 787
WL23-2P1130	1 027 784
WL23-2P2430	1 027 785
WL23-2P3430	1 027 786

# Photoelectric reflex switch, WL 23-2, red light - AC


**Scanning range**  
**0.1 ... 10 m**  
 Photoelectric reflex switch

- "Plug & Play": AC version (240 V)
- Excellent alignment to reflector
- Polarisation filter: safe detection even with shiny surfaces

## Dimensional drawing

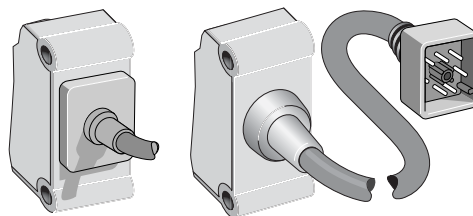


- 1 Optical axis sender
- 2 Optical axis receiver
- 3 Mounting hole  $\varnothing$  5.2 mm
- 4 LED indicator green; power on
- 5 LED indicator yellow; status of received light beam



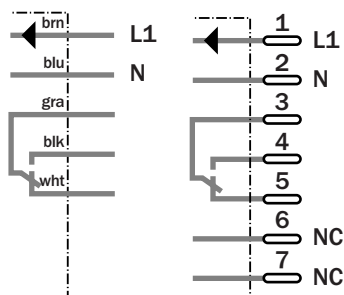
## Connection type

WL23-2S1530    WL23-2S3730



5 x 0.25 mm<sup>2</sup>

Q7, 7-pin, AC/UC



## Accessories \*

Connector, Q7, 7-pin, UC-coding

Mounting systems

Reflectors

Weather protection

\* Recommendation for connectors:

AWM Style 2464

		WL23-2	S1530	S3730									
<b>Scanning range max. typ.</b>	0.1 ... 10 m												
<b>Scanning range, recommended</b>	0.3 ... 7 m												
Relating to	Reflector PL 80 A												
<b>Light source, light type</b>	LED, Red light, 645 nm <sup>1)</sup>												
Light spot diameter	Approx. 35 mm at 2.7 m distance												
Angle of dispersion	Ca. 1.5 °												
Polarisation filter	✓												
<b>Supply voltage V<sub>s</sub></b>	AC 90 ... 265 V <sup>2)</sup>												
<b>Switching outputs</b>	Relay 1 x c/o, electrically safety isolated <sup>3)</sup>												
Power consumption	≤ 2 VA												
Max. switching voltage	250 V AC / 120 V DC												
Switching current max.	4 A @ 250 V AC or 24 V DC <sup>4)</sup>												
Max. switching power	AC 1000 VA / DC 100 W												
Response time	≤ 10 ms												
Switching frequency	10 Hz <sup>5)</sup>												
<b>Connection type</b>	Cable, PVC, 2 m <sup>6)</sup>												
	Cable with plug, Q7, 7-pin, AC/UC, PVC, 150 mm <sup>6)</sup>												
<b>VDE protection class</b>	□ <sup>7)</sup>												
<b>Circuit protection</b>	V <sub>s</sub> connections reverse-polarity protected / Interference pulse suppression												
<b>Enclosure rating</b>	IP 65												
<b>Ambient temperature operation</b>	-25 °C ... +60 °C												
<b>Ambient temperature storage</b>	-40 °C ... +70 °C												
<b>Weight</b>	Ca. 200 g												
	Ca. 140 g												
<b>Housing material</b>	ABS, PMMA												

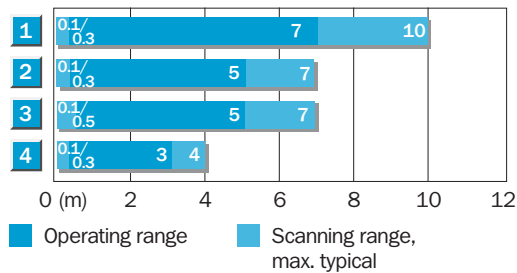
<sup>1)</sup> Average service life 100,000 h at T<sub>a</sub> = +25 °C  
<sup>2)</sup> Limit values

<sup>3)</sup> Provide suitable spark suppression for inductive or capacitive loads  
<sup>4)</sup> Usage category to EN 60947-1,

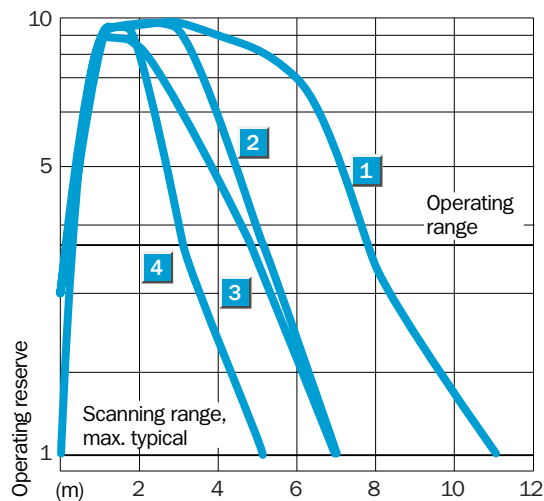
AC-15, DC-13  
<sup>5)</sup> With light/dark ratio 1:1  
<sup>6)</sup> Do not bend below 0 °C

<sup>7)</sup> Reference voltage 250 V AC

**Scanning range and operating reserve**



	Reflector type	Operating range
1	PL 80 A	0.3 ... 7.0 m
2	PL 40 A	0.3 ... 5.0 m
3	C 110	0.5 ... 5.0 m
4	PL 20 A	0.3 ... 3.0 m



**Ordering information**

Type	Order No.
WL23-2S1530 *	1 027 788
WL23-2S3730 *	1 027 789

\* Available November 2005

Dimensional drawings and order information

SENSICK screw-in system M12, 4-pin, enclosure rating IP 67

Female connectors M12, 4-pin, straight

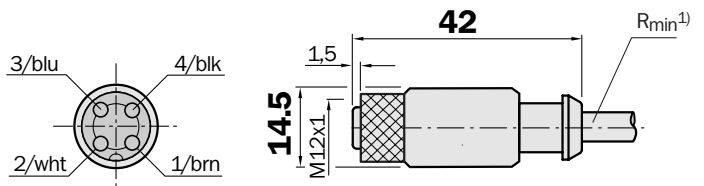
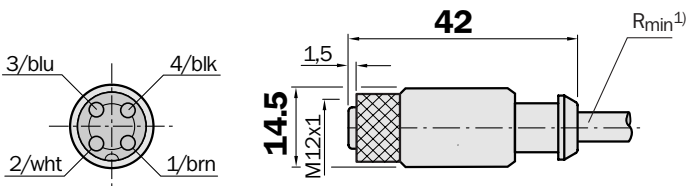
Cable diameter 5/6 mm, 4/5 x 0.25 mm<sup>2</sup>, sheath PVC

Type	Order no.	Contacts	Cable length
DOL-1204-G02M	6 009 382	4	2 m
DOL-1204-G05M	6 009 866	4	5 m
DOL-1204-G10M	6 010 543	4	10 m
DOL-1204-G15M	6 010 753	4	15 m

Female connector M12, 4-pin, straight

Cable diameter 4.5 mm, 4 x 0.34 mm<sup>2</sup>, sheath PUR

Type	Order no.	Cable length
DOL-1204-G05MC	6 025 901	5 m



Female connectors M12, 4-pin, right angle

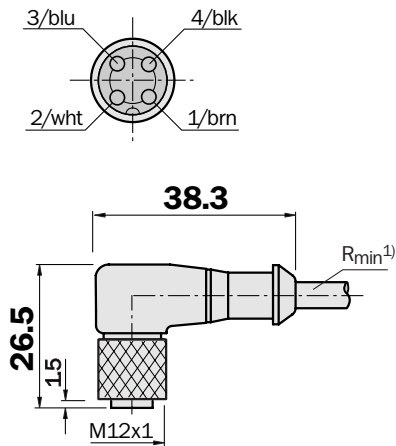
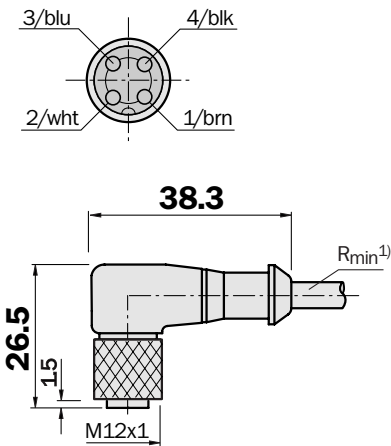
Cable diameter 5/6 mm, 4/5 x 0.25 mm<sup>2</sup>, sheath PVC

Type	Order no.	Contacts	Cable length
DOL-1204-W02M	6 009 383	4	2 m
DOL-1204-W05M	6 009 867	4	5 m
DOL-1204-W10M	6 010 541	4	10 m

Female connector M12, 4-pin, right angle

Cable diameter 4.5 mm, 4 x 0.34 mm<sup>2</sup>, sheath PUR

Type	Order no.	Contacts
DOL-1204-W05MC	6 025 904	5 m



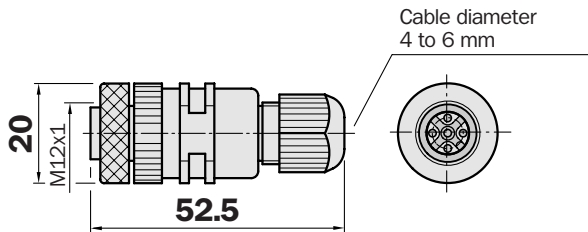
<sup>1)</sup> Minimum bend radius in dynamic use  
 $R_{min} = 20 \times \text{cable diameter}$

Dimensional drawings and order information

SENSICK screw-in system M12, 4-pin, enclosure rating IP 67

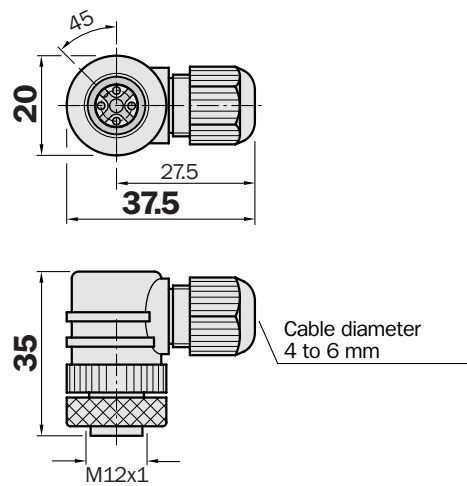
Female connector M12, 4-pin, straight

Type	Order no.	Contacts
DOS-1204-G	6 007 302	4



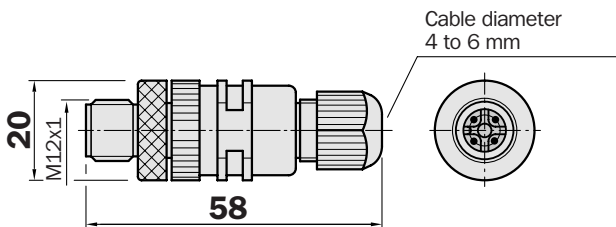
Female connector M12, 4-pin, right angle

Type	Order no.	Contacts
DOS-1204-W	6 007 303	4



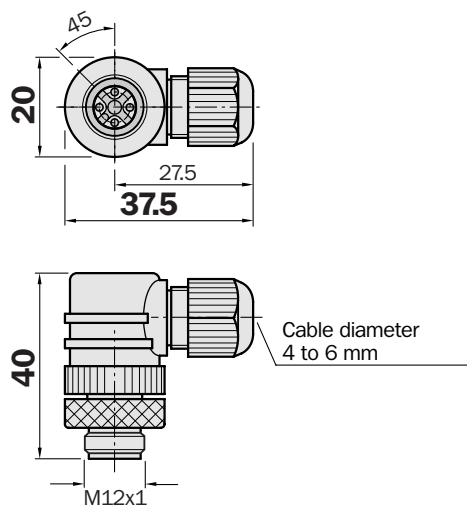
Male connector M12, 4-pin, straight

Type	Order no.
STE-1204-G	6 009 932



Male connector M12, 4-pin, right angle

Type	Order no.
STE-1204-W	6 022 084

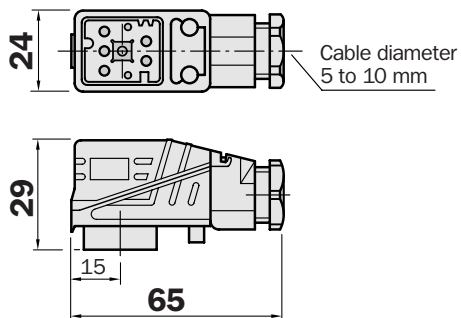


Dimensional drawings and order information

SENSICK rectangular plug-in system, Q7, 7-pin, enclosure rating IP 65

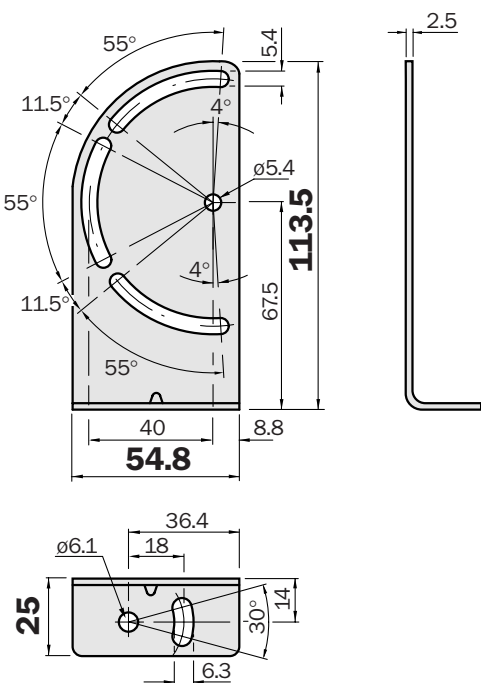
Female connector, 7-pin, AC/UC-coding

Type	Order no.
DOS-2207-W	6 006 821



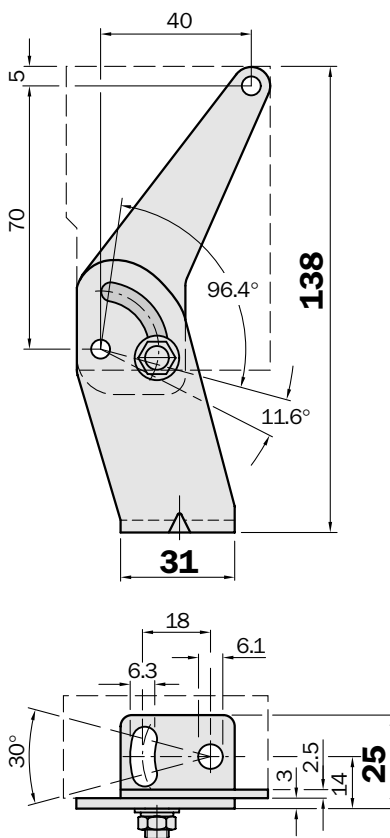
Mounting bracket for W 23-2

Type	Order no.
BEF-WN-W23	2 019 085

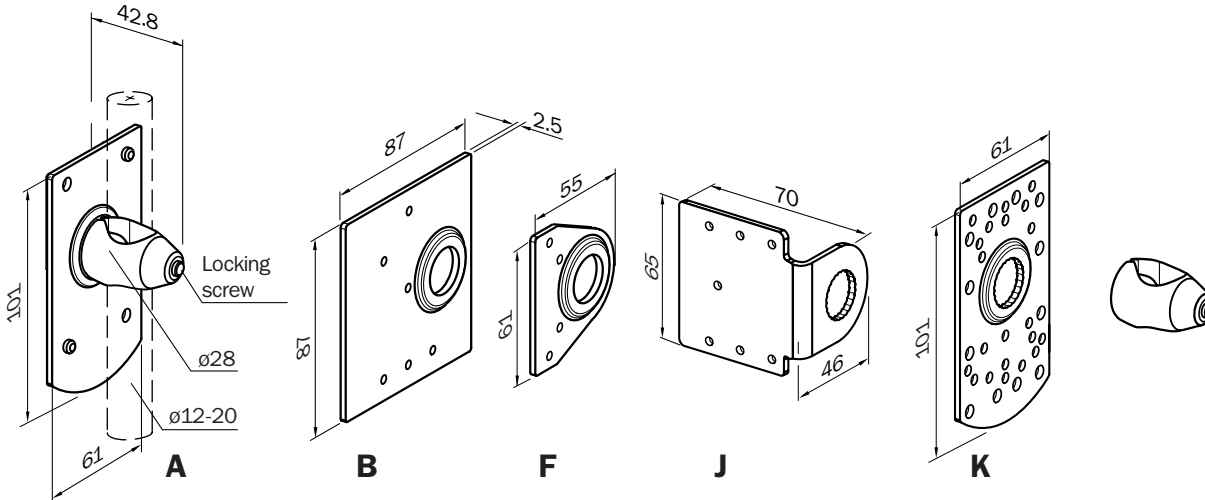


Mounting bracket for W 23-2

Type	Order no.
BEF-WN-W27	2 009 122



Universal bar clamps for sensors and reflectors



Mounting plates	Type	Order no.	for device/reflector type
<b>A</b>	BEF-KHS-A01	2 022 458 <sup>1) 2)</sup>	W 23-2
<b>B</b>	BEF-KHS-B01	2 022 459 <sup>1) 2)</sup>	P 250, P 250 F, PL 30 A, PL 40 A, PL 50 A, PL 80 A, C 110
<b>F</b>	BEF-KHS-F01	2 022 463 <sup>1) 2)</sup>	PL 20 A, PL 20 F, P 250, P 250 F
<b>J</b>	BEF-KHS-J01	2 022 719 <sup>1) 2)</sup>	PL 20 A, PL 20 F, PL 40 A, PL 50 A, P 250, P 250 F, C 110
<b>K</b>	BEF-KHS-K01	2 022 718 <sup>1)</sup>	W 11, W 12-2, W 12L-2, W 14-2, W 18-3, W 23-2, W 24-2, W 27-3, W 30, W 32, W 34, KT 2, KT 5, KT 10, CS 1/3, LUT 3, DS 60, PL 20 A, PL 20 F, PL 30 A, PL 40 A, PL 50 A, PL 80 A, P 250, P 250 F, C 110
	BEF-KHS-KH1	2 022 726	Clamp without mounting plate

<sup>1)</sup> Order no. includes bar support and mounting material.

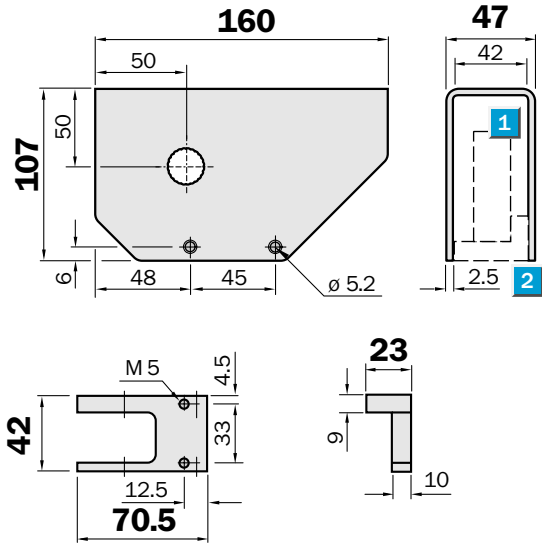
<sup>2)</sup> Mounting plate does not contain threads; the sensor/reflector is mounted from the sensor-/reflector side with self-cutting screws.

Dimensional drawings and order information

Special accessories

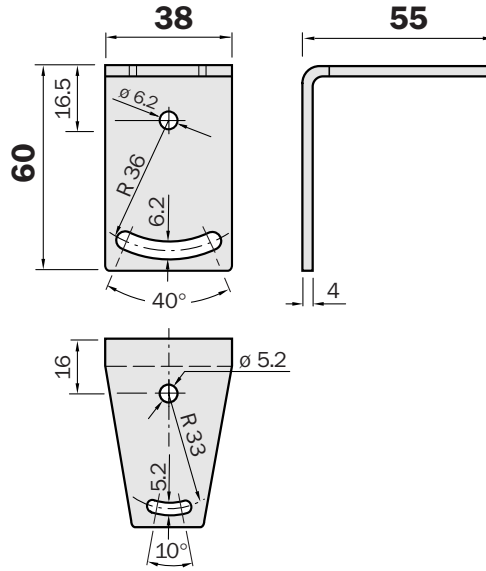
Weather protection hood for W 23-2 \*)

Type	Order no.	1	Sensor
OBW-KHS-M01	2 023 240	2	Clamp with mounting material included with delivery



Mounting bracket for weather protection hood OBW-KHS-M01

Type	Order no.
BEF-WN-OBW	2 023 251

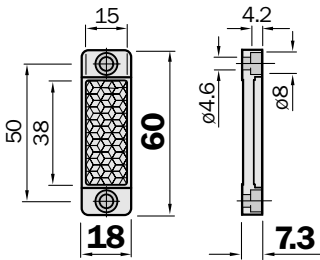


\*) Also suitable as bar support with separate bar clamp BEF-KHS-KH1 (Order no. 2 022 726)

Plastic design for temperatures up to 65 °C

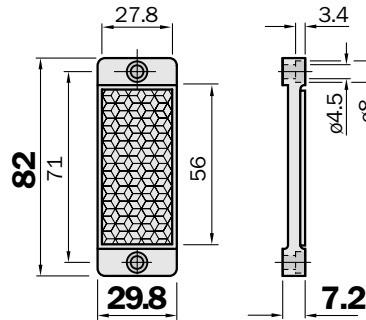
Reflector 20 x 40 mm<sup>2</sup>

Type	Order no.
PL 20 A	1 012 719



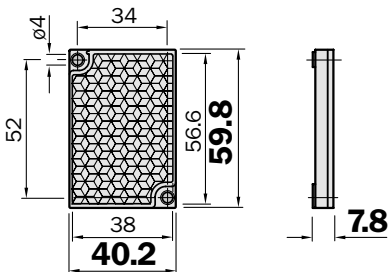
Reflector 30 x 50 mm<sup>2</sup>

Type	Order no.
PL 30 A	1 002 314



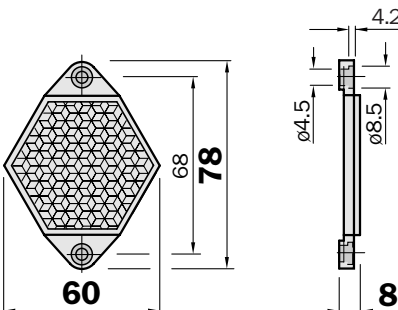
Reflector 40 x 60 mm<sup>2</sup>

Type	Order no.
PL 40 A	1 012 720



Reflector, 6-sided  
width across flats 48 mm

Type	Order no.
PL 50 A	1 000 132



Also available with heating:  
Continuous heating: PL 50 HK,  
order no. 1 011 545  
Regulated heating: PL 50 HS,  
order no. 1 009 871



**Dimensional drawings and order information**

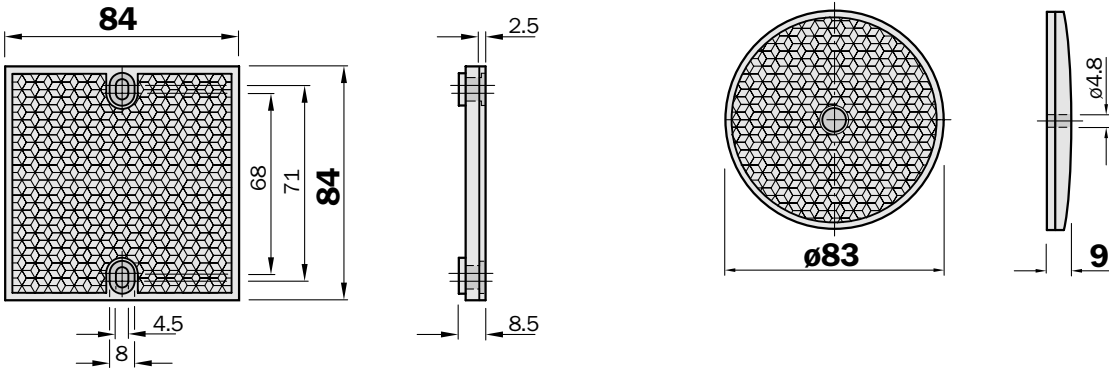
Plastic design for temperatures up to 65 °C

**Reflector 80 x 80 mm<sup>2</sup>**

Type	Order no.
PL 80 A	1 003 865

**Reflector ø 83 mm, centre hole mounting**

Type	Order no.
C 110	5 304 549



**Self-adhesive reflective tape for photoelectric switches with polarisation filter**

**Reflective tape "Diamond Grade"**

Type	Order no.	
REF-DG-K	4 019 634	Cut to size
REF-DG	5 304 334	Sheet 749 x 914 mm <sup>2</sup>



Contact:

**Australia**

Phone +61 3 9497 4100  
1800 33 48 02 – tollfree  
E-Mail sales@sick.com.au

**Belgium / Luxembourg**

Phone +32 (0)2 466 55 66  
E-Mail info@sick.be

**Brasil**

Phone +55 11 5091-4900  
E-Mail sac@sick.com.br

**Ceská Republika**

Phone +420 2 57 91 18 50  
E-Mail sick@sick.cz

**China**

Phone +852-2763 6966  
E-Mail ghk@sick.com.hk

**Danmark**

Phone +45 45 82 64 00  
E-Mail sick@sick.dk

**Deutschland**

Phone +49 (0)2 11 53 01-250  
E-Mail info@sick.de

**España**

Phone +34 93 480 31 00  
E-Mail info@sick.es

**France**

Phone +33 1 64 62 35 00  
E-Mail info@sick.fr

**Great Britain**

Phone +44 (0)1727 831121  
E-Mail info@sick.co.uk

**India**

Phone +91 (11) 2696 7651  
E-Mail ayograj@tecnovaglobal.com

**Italia**

Phone +39 02 27 40 93 19  
E-Mail info@sick.it

**Japan**

Phone +81 (0)3 3358 1341  
E-Mail info@sick.jp

**Korea**

Phone +82-2 786 6321/4  
E-Mail kang@sickkorea.net

**Netherlands**

Phone +31 (0)30 229 25 44  
E-Mail info@sick.nl

**Norge**

Phone +47 67 81 50 00  
E-Mail austefjord@sick.no

**Österreich**

Phone +43 (0)22 36 62 28 8-0  
E-Mail office@sick.at

**Polska**

Phone +48 22 837 40 50  
E-Mail info@sick.pl

**Republika Slovenija**

Phone +386 (0)1-47 69 990  
E-Mail selanm@sick.com

**Russia**

Phone +7 95 775 05 30  
E-Mail info@sick-automation.ru

**Schweiz**

Phone +41 41 619 29 39  
E-Mail contact@sick.ch

**Singapore**

Phone +65 6744 3732  
E-Mail admin@sicksgp.com.sg

**Suomi**

Phone +358-9-25 15 800  
E-Mail sick@sick.fi

**Sverige**

Phone +46 8 680 64 50  
E-Mail info@sick.se

**Türkiye**

Phone +90 216 388 95 90 pbx  
E-Mail info@sick.com.tr

**Taiwan**

Phone +886 2 2365-6292  
E-Mail sickgrc@ms6.hinet.net

**USA / Canada / Mexico**

Phone +1(952) 941-6780  
1 800-325-7425 – tollfree  
E-Mail info@sickusa.com

More representatives and agencies  
in all major industrial nations at  
[www.sick.com](http://www.sick.com)

**SICK**

SICK AG • Industrial Sensors • Waldkirch • [www.sick.com](http://www.sick.com)