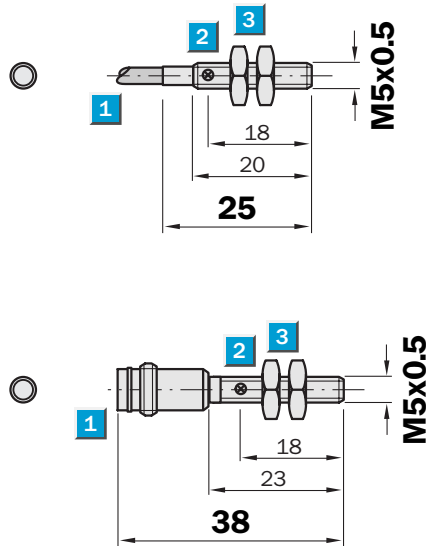


**Sensing range**  
0.8 mm

Inductive sensor

- Can be installed flush
- High switching frequency
- Short-circuit protection (pulsed)
- Robust brass housing, nickel-plated with fine thread M5 x 0.5 mm
- Enclosure rating IP 67

Dimensional drawing



- 1 Connection
- 2 Display LED
- 3 Fastening nuts (2 x); width across 7, metal



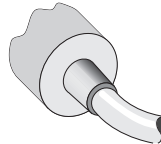
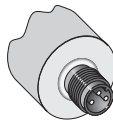
Connection type

IM05-0B8NS-ZT1

IM05-0B8NS-ZW1

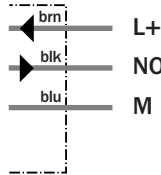
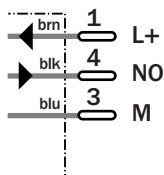
IM05-0B8PS-ZT1

IM05-0B8PS-ZW1



M8, 3-pin

3 x 0.14 mm<sup>2</sup>



See chapter Accessories

Connector, M8, 3-pin

Technical data		IM05-	OB8NS -ZT1	OB8NS -ZW1	OB8PS -ZT1	OB8PS -ZW1						
<b>Sensing range <math>S_n</math></b>	0.8 mm											
<b>Electrical configuration</b>	DC 3-wire											
<b>Supply voltage <math>V_s</math></b>	DC 10 ... 30 V											
Ripple $V_{pp}$	$\leq 20\%$ <sup>1)</sup>											
Voltage drop $V_d$	$\leq 2\text{ V}$ <sup>2)</sup>											
Current consumption	$\leq 10\text{ mA}$ <sup>3)</sup>											
<b>Continuous current <math>I_a</math></b>	$\leq 200\text{ mA}$											
Time delay before availability $t_v$	$\leq 10\text{ ms}$											
Hysteresis H (of $s_p$ )	10 %											
Repeatability R	$\leq 1.5\%$ ( $U_b$ and $T_a$ constant)											
Temperature drift, of $s_r$	$\pm 10\%$											
EMC	According to EN 60 947-5-2											
<b>Switching output</b>	PNP											
	NPN											
<b>Output function</b>	Normally open <sup>4)</sup>											
<b>Installation</b>	Flush											
<b>Connection types</b>	Cable, PVC, 2 m											
	Plug, M8, 3-pin											
Enclosure rating	IP 67 <sup>5)</sup>											
Max. switching frequency	5,000 Hz											
Dimensions	M5 x 0.5 <sup>6)</sup>											
<b>Short-circuit protection</b>	✓ <sup>7)</sup>											
<b>Reverse polarity protection</b>	✓											
<b>Power-up pulse suppression</b>	✓											
Shock / vibration stress	30 g, 11 ms / 10 ... 55 Hz, 1 mm											
Ambient temperature $T_a$	-25 °C ... +70 °C											
Housing material	Brass nickel-plated, plastic											
Tightening material	1.5 Nm											

<sup>1)</sup> of  $U_b$   
<sup>2)</sup> at  $I_a = 200\text{ mA}$

<sup>3)</sup> without load  
<sup>4)</sup> normally closed function available on

request  
<sup>5)</sup> according to EN 60 529

<sup>6)</sup> thread diameter x pitch (mm)  
<sup>7)</sup> (pulsed)

#### Order information

Type	Order no.
IM05-OB8NS-ZT1	6 020 158
IM05-OB8NS-ZW1	6 020 155
IM05-OB8PS-ZT1	6 020 110
IM05-OB8PS-ZW1	6 011 591