

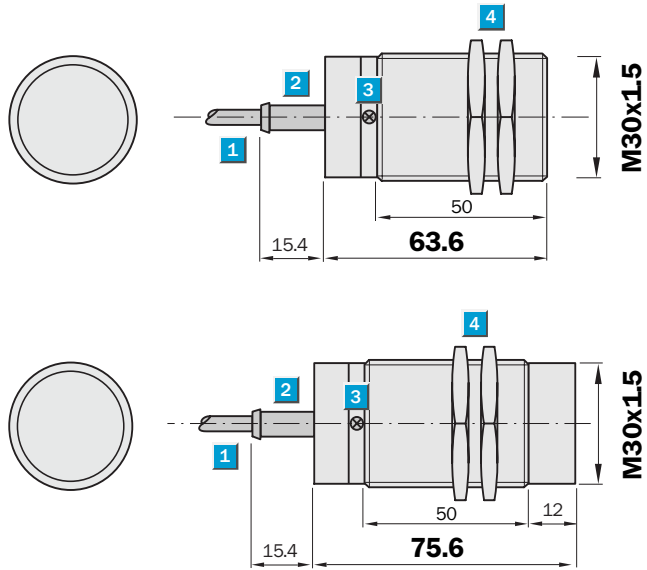
Capacitive sensor, CM 30, AC 2-wire, Plastic

Sensing range
16 / 25 mm

Capacitive sensor

- AC 2-wire, 250 V
- High EMC immunity
- Configurable output function
- Enclosure rating IP 67
- LED status indicator

Dimensional drawing



- 1 Connection
- 2 Potentiometer
- 3 Display LED
- 4 Fastening nuts (2 x); width across 36, Plastic

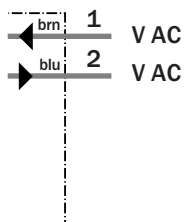


Connection type

- CM30-25NAP-KW1
- CM30-16BAP-KW1



2 x 0.5 mm²



See chapter Accessories

Mounting Systems

Technical data		CM30-	25NAP-KW1	16BAP-KW1									
Sensing range S_n	16 mm												
	25 mm												
Electrical configuration	AC 2-wire												
Supply Voltage V_s	AC 20 ... 250 V												
Residual ripple U _{ss}	≤ 10 % ¹⁾												
Voltage drop U _d	≤ 10 V ²⁾												
Power consumption	≤ 10 mA ³⁾												
Continuous current I_a	≤ 500 mA												
Time delay before availability t _v	≤ 100 ms												
Hysteresis H, of s _r	4 ... 20 %												
Repeatability R	≤ 5 % (U _b and T _a constant) ⁴⁾												
Temperature drift, of s _r	± 10 %												
EMC	According to EN 60947-5-2												
Output function	Configurable												
Installation	Flush												
	Non-flush												
Connection type	Cable, PVC, 2 m												
Enclosure rating	IP 67 ⁵⁾												
Max. switching frequency	10 Hz												
Dimensions	M30 x 1.5 ⁶⁾												
Short circuit protection	-												
Reverse polarity protection	✓												
Power-up pulse suppression	✓												
Shock/vibration stress	30 g, 11 ms/10 ... 55 Hz, 1 mm												
Ambient operating temperature T _a	-25 °C ... +80 °C												
Housing material	Plastic												
Tightening torque	75 Nm												

¹⁾ of U_b
²⁾ at I_a max

³⁾ Without load
⁴⁾ of s_r

⁵⁾ according to EN 60529
⁶⁾ Thread diameter x pitch (mm)

Order Information	
Type	Order no.
CM30-25NAP-KW1	6 028 413
CM30-16BAP-KW1	6 028 411